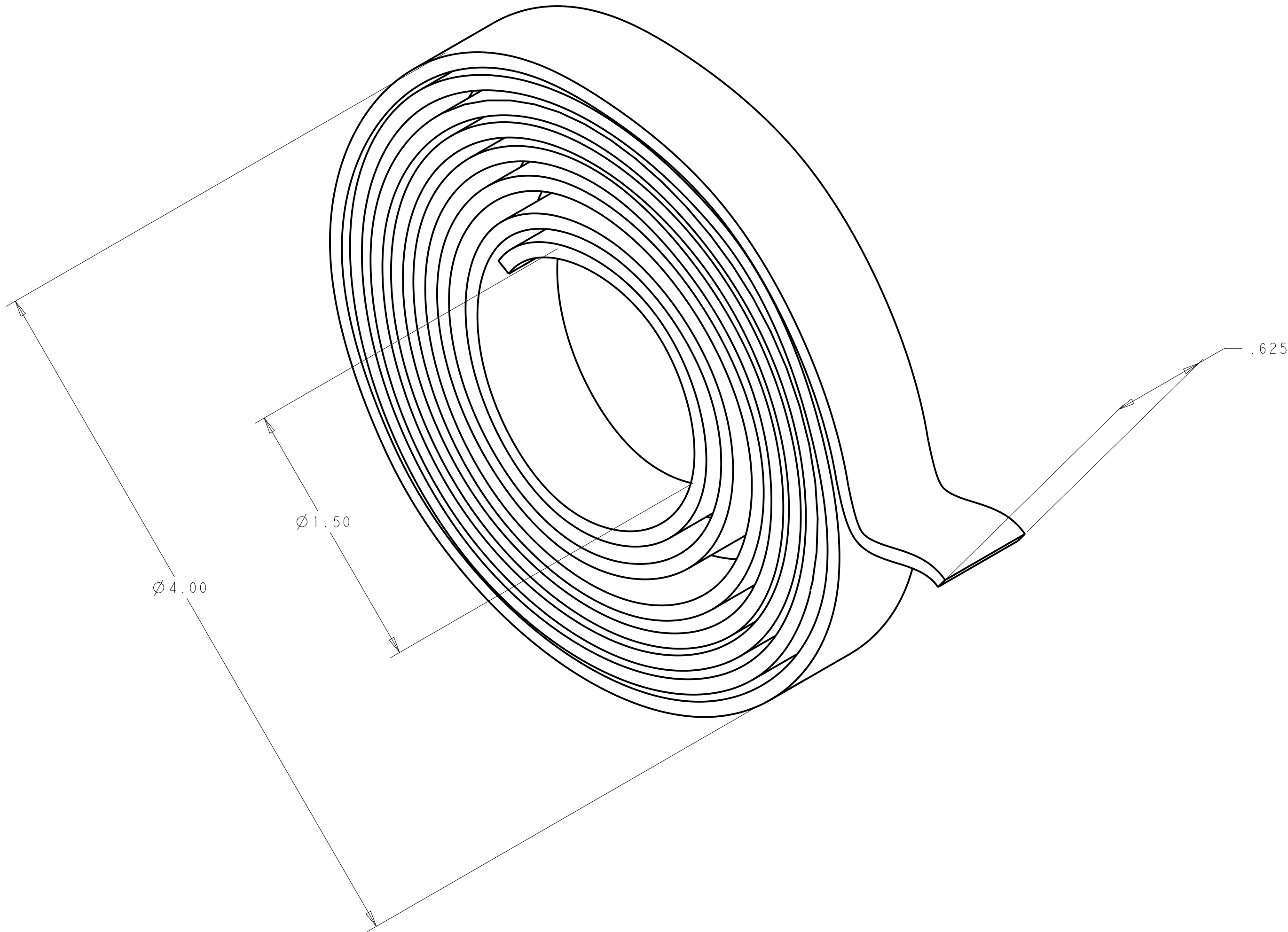


THIS DRAWING IS UNPUBLISHED. RELEASED FOR PUBLICATION
 © 2016 COMMSCOPE, INC. CONFIDENTIAL NOTICE: THESE DRAWINGS AND SPECIFICATIONS ARE THE PROPRIETARY PROPERTY OF COMMSCOPE, INC. AND MAY BE USED ONLY FOR THE SPECIFIC PURPOSE AUTHORIZED IN WRITING BY COMMSCOPE, INC.

REVISIONS				
P	LTR	DESCRIPTION	DATE	APVD
B		REV; ECO-12-015755	17SEP2012	GG SH
C		REV; ECO-15-006158	15APR2015	GG SH
D		REV BNS_CD_BRAND	10FEB2017	GG DC



- 1. MATERIAL: HOOK AND LOOP NYLON, SEE TABLE FOR COLORS.
- 2. PACKAGED: 4572MM [180 INCHES (5 YARDS)] PER PUCK, ONE PUCK PER POLYBAG.

BLUE	1 1375255-6
BLACK	1 1375255-2
COLOR	PART NUMBER

THIS DRAWING IS A CONTROLLED DOCUMENT.		DWN L SMITH 20OCT00	COMMSCOPE, INC.	
DIMENSIONS: MM [INCHES]		CHK L SMITH 20OCT00		
TOLERANCES UNLESS OTHERWISE SPECIFIED:		APVD S HERNDON 20OCT00		
0 PLC ±	1 PLC ±	2 PLC ±	NAME HOOK AND LOOP CABLE TIE, 625 INCH WIDE 5 YARDS LONG	
3 PLC ±	4 PLC ±	ANGLES ±	SIZE A2	
FINISH			DRAWING NO C-1375255	
MATERIAL 1			RESTRICTED TO -	
			SCALE 2:1 SHEET 1 OF 1 REV D	