



MFPS Fiber Optic panel, 1RU, 48 fibers/RU, pre-cabled I/O LSZH, 20m, front patch cords orientation to the left, 48 SC/UPC, grade C

- Supplied with connectorized cables from 48F up to 96F, and a stub on the far end (10, 20 or 30m)
- Suitable for cabinets and POP locations
- Supports patch cord diameters of 1.2 to 2.4mm (XD-series require the usage of 1.2mm patch cords)

Product Classification

| | |
|------------------------------|--|
| Regional Availability | EMEA |
| Portfolio | CommScope® |
| Product Type | Fiber patch panel, with indoor/outdoor cable |
| Product Series | MFPS |

General Specifications

| | |
|----------------------------------|--------------------------------------|
| Functionality | Patching |
| Cable Exit Location | Side |
| Cable Stub Type | Indoor/outdoor, stranded |
| Color | Gray |
| Door Type, front | Compression latch Hinged |
| Growth Configuration | Fully loaded |
| Interface, front | SC/UPC |
| Interface, rear | Stub tail |
| Patch Cord Entry Location | Front, left side |
| Patch Cord Routing | Left sided |
| Rack Type | EIA 19 in ETSI 600 mm |
| Rack Units | 1 |
| Shelf Movement | Hinged |
| Total Ports, quantity | 48 |
| Transmission Standards | ETSI EN 300 019-1-3 IEC 61300-3-34 |

Dimensions

| | |
|---------------|--------------------|
| Height | 44.45 mm 1.75 in |
|---------------|--------------------|

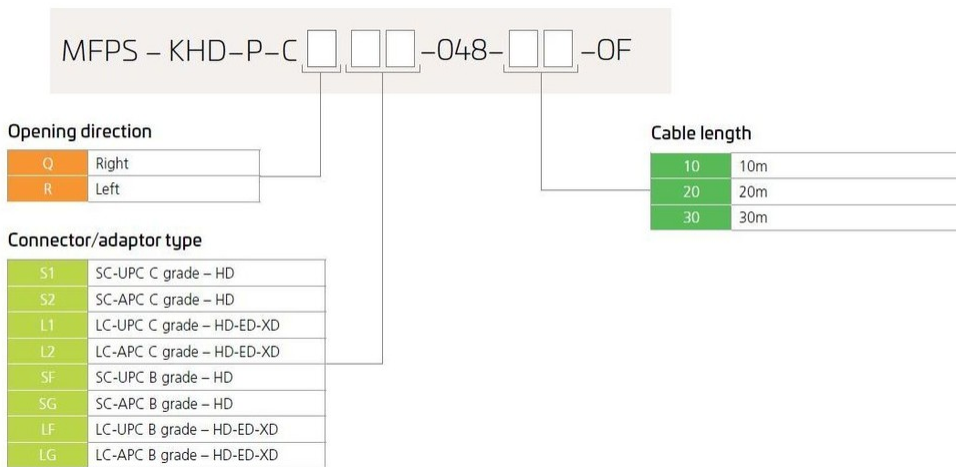
760241873 | MFPS-KHD-P-CRS1-048-20-OF

| | |
|---------------------|----------------------|
| Width | 482.6 mm 19 in |
| Depth | 279.91 mm 11.02 in |
| Cable Length | 20 m 65.617 ft |

Port Configuration

| MFPS Capacities | | 48 | | 72 | 96 |
|-----------------|--------|----|----|----|-----------------|
| Connector Type | | SC | LC | LC | LC Adapter Pack |
| 19 inch | 1HU | 48 | 48 | 72 | 96 |
| | 2HU | 96 | 96 | | |
| | 2.8 HU | | | | |

Ordering Tree



Material Specifications

| | |
|----------------------|--|
| Finish | Powder coated |
| Material Type | Ethylene-propylene (EP) Polyethylene terephthalate (PET) |

Optical Specifications

| | |
|--------------------------|------------------|
| Fiber Mode | Singlemode |
| Fiber Type | G.657.A1 |
| Performance Grade | Standard C grade |

Environmental Specifications

| | |
|---|--------------------------------------|
| Operating Temperature | -40 °C to +70 °C (-40 °F to +158 °F) |
| Storage Temperature | -20 °C to +85 °C (-4 °F to +176 °F) |
| EN50575 CPR Cable EuroClass Fire Performance | Dca |
| Flammability Rating | UL 94 V-0 |

Packaging and Weights

| | |
|---------------------------|---|
| Included | Mounting hardware One cable termination kit |
| Packaging quantity | 1 |

Regulatory Compliance/Certifications

| Agency | Classification |
|---------------|--|
| CHINA-ROHS | Above maximum concentration value |
| ISO 9001:2015 | Designed, manufactured and/or distributed under this quality management system |
| REACH-SVHC | Compliant as per SVHC revision on www.commscope.com/ProductCompliance |
| ROHS | Compliant/Exempted |
| UK-ROHS | Compliant/Exempted |



* Footnotes

| | |
|--------------------------|---|
| Performance Grade | Guarantee to meet IEC 61755-1 Random Mating requirement |
|--------------------------|---|