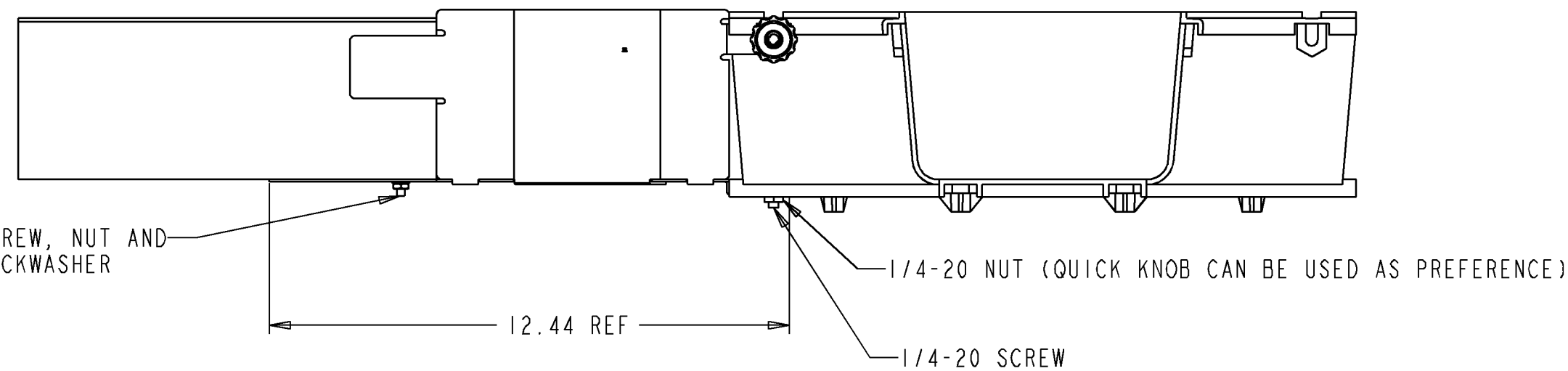
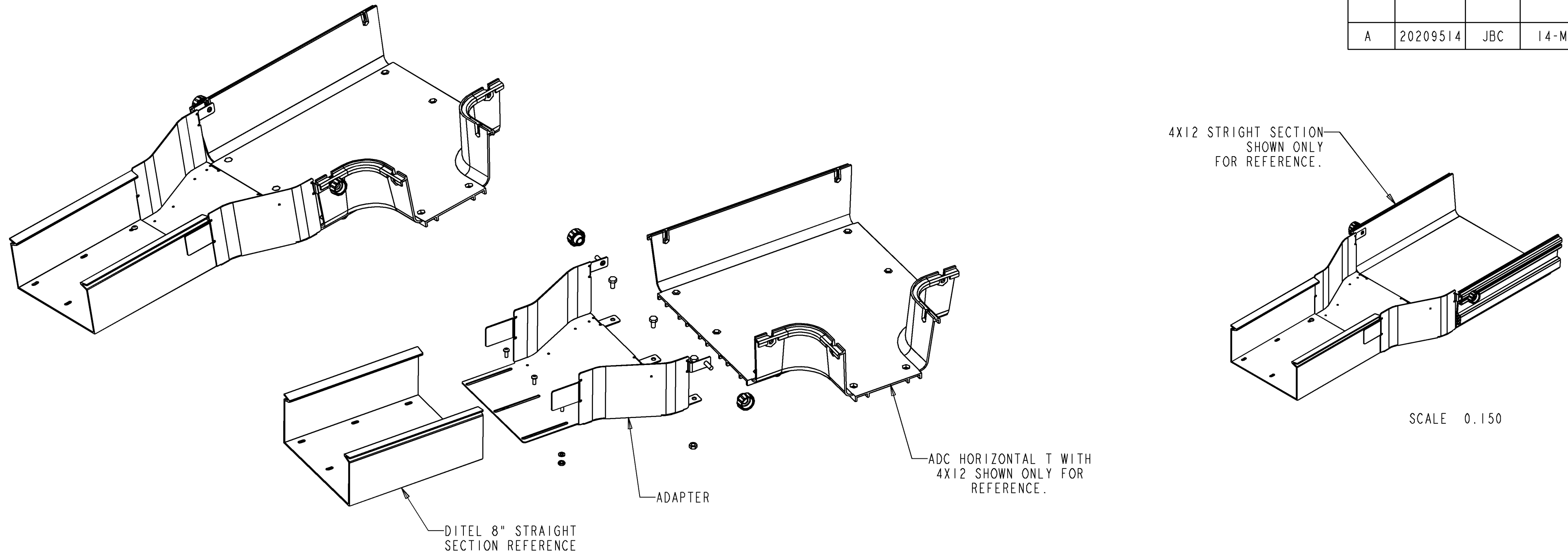


REV	MCO	DWN	DATE
A	20209514	JBC	14-MAR-07



NOTES:

1. PARTS INCLUDED WITH KIT ARE AS FOLLOWS:

- (1) ADAPTER
- (3) 1/4-20 HEX SCREW
- (3) 1/4-20 NUT
- (3) SCREW 10-32
- (3) WASHER #10
- (3) NUT 10-32
- (4) KNOB PLASTIC

NOTE: EXTRA PARTS CAN BE INCLUDED.

ATTACHING THE ADAPTER TO THE DITEL LINK:

2. MATE THE ADAPTER TO THE DITEL COMPONENT AS SHOWN. SIDES OF THE ADAPTER WILL NEED TO BE SQUEEZED INWARD SLIGHTLY. USE THE 10-32 SCREW, NUT AND WASHER.
3. MATE THE ADAPTER TO THE ADC GUIDE WITH KNOBS AND 1/4-20 SCREW AND NUT.
4. CUT AND APPLY TAPE ALONG SEAMS WHERE THE ADAPTER MEETS THE TROUGH.

**CATALOG#: FGS-ACC048**



<small>INFORMATION ON THIS DOCUMENT IS PROPRIETARY TO ADC AND SHALL NOT BE USED, COPIED, REPRODUCED OR DISCLOSED IN WHOLE OR IN PART WITHOUT WRITTEN CONSENT OF ADC.</small>	<small>TITLE</small> KIT, 12: FGS TO 8" DITEL ADAPTER <small>INSTALLATION DRAWING</small>	
	<small>ALL DIMS AND TOLERANCES ARE INCHES UNLESS OTHERWISE SPECIFIED</small>	<small>ANGULAR: ±N/A</small>
<small>DO NOT SCALE DRAWING</small>	<small>ENGR:</small> J. BARRAZA <small>DWN:</small> J. BARRAZA	<small>SHT.</small> 1 OF 1

**DIMENSIONS IN INCHES  
THIRD ANGLE PROJECTION**