

FIST-GC02-B

Base Product



FIST® GC02 Round Fiber Optic Splice Closure

The generic closure FIST-GC02-B is an environmentally sealed enclosure for the FIST fiber management system allowing splicing and passive component integration in the external network. The product can be tailored to almost any required configuration by adding splicing and/or passive device sub-assemblies. The FIST-GC02-B has provision for all cable termination and sealing requirements.

The closure is a single-ended design made of a thermoplastic material. The base and dome are sealed with a clamp (or latches) and an O-ring system. One oval entry port for looped (uncut) cable and 6 or 16 round ports for single cable entry/exit are provided in the base. (8 round or 6 + 1 oval port for GC02-F version).

The cable seals are manufactured from heat-shrinkable or gel material. The UMS (Universal Mounting System) profiles provide the foundation for mounting combinations of SOSA2 (Splicing Only Sub-Assembly) and/or SASA2 (Splitter Array Sub-Assembly) modules, which consist of a modular groove plate and trays. Uncut loose buffer tube storage space is available between (or behind) the (two) UMS profile(s); for central core applications, storage baskets are available (for GC02-B only)

The generic closure FIST-GC02-B is offered in 3 sizes:

GC02-BC

247 mm base diameter and 488 mm long with (2) 28 unit UMS (universal mounting system) profiles

GC02-BD

247 mm base diameter and 566 mm long with (2) 42 unit UMS (universal mounting system) profiles

GC02-BE

247 mm base diameter and 680 mm long with (2) 58 unit UMS (universal mounting system) profiles

Key features of the FIST-GC02-B closures:

- Single-ended design
- Base and dome sealed with clamp and O-ring system
- 6, 8 or 16 round entry/exit ports for drop cables and 1 or 2 oval ports for looped cable
- UMS (universal mounting system) profiles provide foundation for mounting combinations of SOSA2 (splice only sub-assembly) and /or SASA3 (splitter array sub-assembly) modules, which consist of a modular grooveplate and trays
- Compatible with most common cable types: e.g. loose tube, central core, ribbon fiber
- Uncut fibers can be stored as single circuits in trays and/or as cable elements in storage space between profiles.
- Storage baskets available for mass storage of fibers of central core cable constructions.
- Closure can be used in aerial, pedestal and underground (up to 5 meters) environments

Product Classification

Product Type

Single-ended, round fiber closure

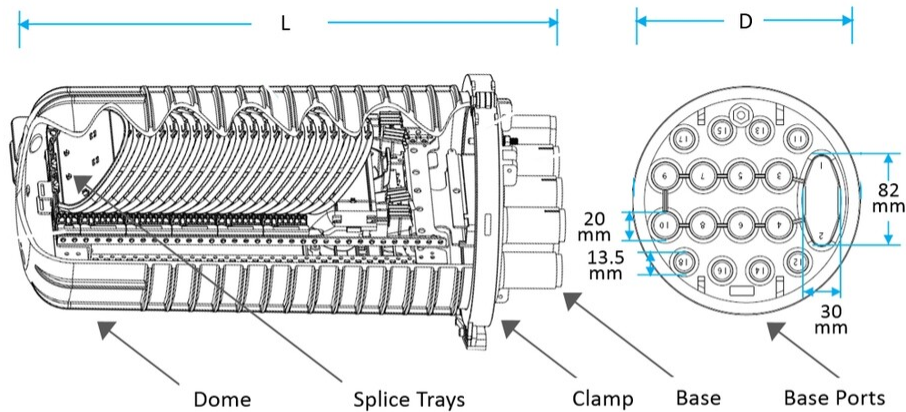
FIST-GCO2-B

Product Brand	FIST®
Product Series	FIST-GCO2

General Specifications

Cable Entry Drop Port Style	Round
Cable Entry Main Port Style	Oval
Closure Sealing Type	Dome-to-base clamp with O-ring
Closure Style	Single-ended
Color	Black
Network Area Type	Distribution

Dimension Drawing



	FIST-GCO2-BC	FIST-GCO2-BD	FIST-GCO2-BE	FIST-GCO2-BF
Length L	488 mm/19.213 in	566 mm/22.283 in	680 mm/26.772 in	795 mm/31.30 in
Width D at base	247 mm/9.724 in	247 mm/9.724 in	247 mm/9.724 in	247 mm/9.724 in
Width D at base with clamp	285 mm/11.22 in	285 mm/11.22 in	285 mm/11.22 in	285 mm/11.22 in

Port Configuration

	Cables per port	Cable Diameter, min	Cable Diameter, max
1 Oval Port	2	12 mm / 0.472 in	25 mm / 0.984 in
16 Round Ports	1	5 mm / 0.197 in	20 mm / 0.787 in

Splicing Configuration

FIST-GCO2-B

	FIST-GCO2-BC	FIST-GCO2-BD	FIST-GCO2-BE	FIST-GCO2-BF
UMS Units	2x28	2x42	2x58	2x64
# SC/SLE 4mm trays	56	80	112	128
# SE 8mm trays	28	40	56	64
# R12 12mm Flat ribbon trays	18	26	36	42
Max single splice capacity SC trays (4F/tray)	224	320	448	512
Max single splice capacity SE trays (12F/SE)	336	480	672	768
Max single splice capacity High dense tray (12F/SLE)	672	960	1344	1536
Max mass splice capacity R12 trays (Flat ribbon)	432	624	864	1008
Max mass splice capacity SE trays (Rollable ribbon G657A2 fiber)	1008	1440	1728	1728

Ordering Tree

FIST-GCO2- _____ - _____

Closure size

BC	488 mm long with (2) 28 unit UMS
BD	566 mm long with (2) 42 unit UMS
BE	680 mm long with (2) 58 unit UMS
BF	795 mm long with (2) 64 unit UMS

Flash test valve

V	Pre-installed flash test valve
N	No flash test valve

Ground feed-through

G	Pre-installed ground feedthrough
N	No ground feedthrough

Number of ports

6	Round ports	(6: ø 30) + 1 oval port
8	Round ports	(8: ø 30) + 2 oval ports
16	Round ports	(8 : ø 20) + 1 oval port (8 : ø 13.5)

Material Specifications

Material Type Impact-resistant polymer

Environmental Specifications

Qualification Standards IEC 61300, 5 m waterhead

Regulatory Compliance/Certifications

Agency

ISO 9001:2015

Classification

Designed, manufactured and/or distributed under this quality management system