

# NOVUX™

A new way for what's next  
in FTTX networks



COMMSCOPE®



**NOVUX™**

Today's fiber closures and terminals can't keep up with the new demand for bandwidth and rollout speed. **Isn't it time for a new approach?**

## Introducing NOVUX™, the future of FTTX

CommScope is committed to strong partnerships that build responsive, flexible networks. We use customer feedback to help guide strategic decisions about our solutions and to ensure that every connection and cable is a revenue stream for your business. We're excited to share our product evolution with our customers and collaborate on future innovations.

When we set out to design our new NOVUX™ fiber-to-the-X (FTTX) platform, we listened carefully to our customers. You told us that solutions must deliver the agility to evolve quickly while providing the flexibility to work seamlessly with any field application. We also learned you need solutions that deliver reliability today—and decades from now—so you can realize your goals and keep pace with the rapidly changing network environment.

# Modularity that outperforms

NOVUX is engineered from the get-go as a new FTTX system architecture and complete ecosystem with closures and terminals that span the outside plant fiber network—from the trunk and feeder to the distribution and drop. Its modular architecture means components and accessories are easily configurable to fit each application and are available in high volumes to meet demand.

NOVUX allows operators to use 75% fewer components than existing products while delivering 50 times more than the number of configurations available today—all while simplifying installer training and reducing field errors.

With NOVUX, network operators can evolve and meet new application requirements quickly. Whether customers need

**75%** fewer components than existing products

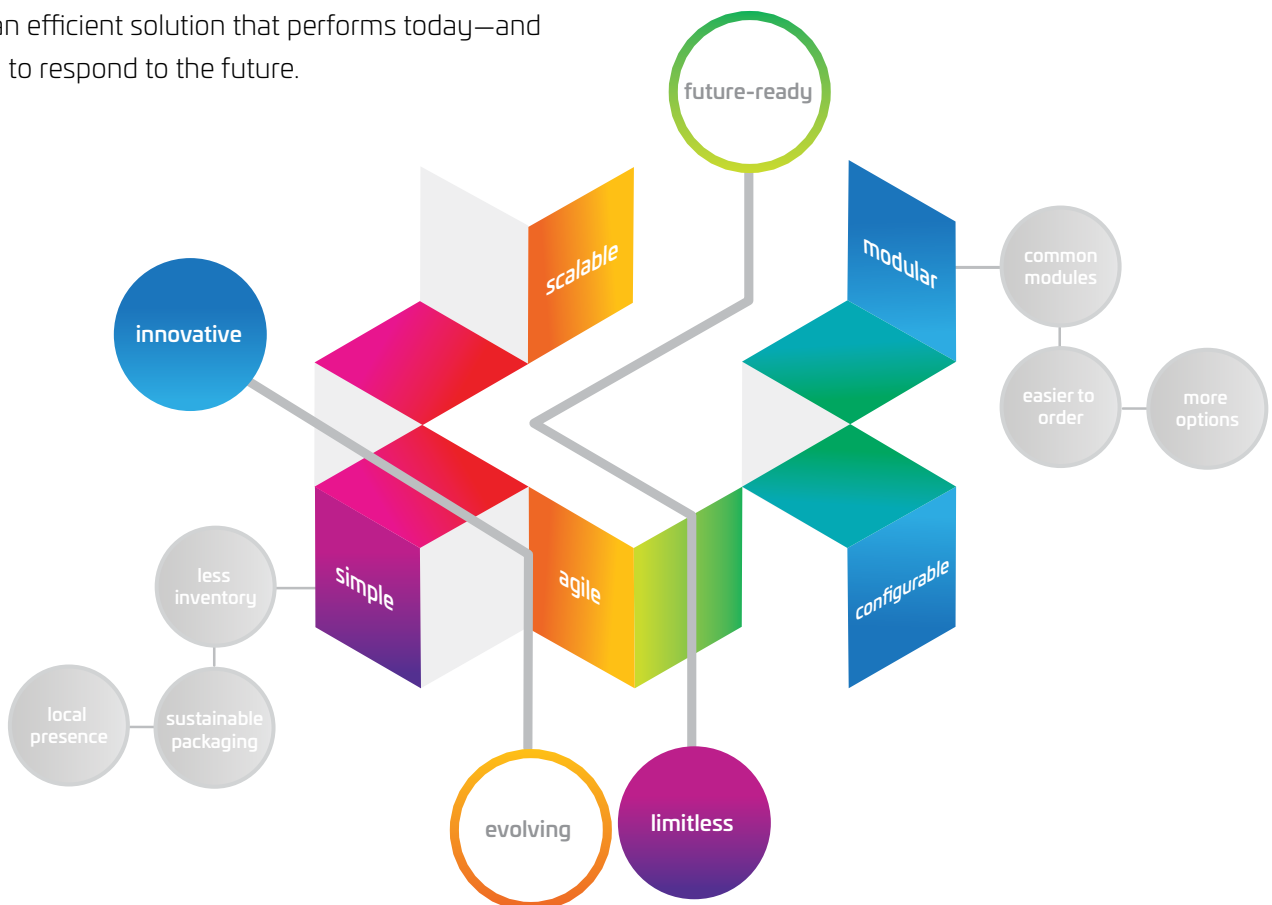
DELIVER

**50X** the number of configurations available today

single- and multi-fiber splitters, wavelength-division multiplexing (WDM), fiber indexing or optical tap configurations, NOVUX allows operators to compete and win in a fast-changing and highly competitive environment.

## What makes NOVUX an ecosystem?

It's simple. The whole is greater than the sum of its parts—an efficient solution that performs today—and is ready to respond to the future.



# NOVUX: The **first** modular FTTX ecosystem

At CommScope, we're passionate about making lasting connections, and we work hard to always anticipate and solve our customers' biggest challenges. We try to think ahead and be the first to market with solutions based on real needs. We understand what it takes for our customers to be successful, but we also prepare them for what's ahead.

Today, CommScope is the only company to offer a fiber-to-the-home (FTTH) platform that has the inherent agility and scalability to evolve with the future—keeping networks ahead of the curve. Newly engineered from the ground up, NOVUX transforms FTTH networks with a modular, end-to-end architecture.



## CONFIGURABLE

- Easily configurable for specific applications, based on the widest variety of technologies available from a single platform
- On-demand, hybrid configurations within the platform design
- Custom identification for easy tracking and documentation



## SCALABLE

- Available in high volumes on demand, thanks to an agile global supply chain that's backed by a universal platform design and processes
- Multiple global locations with local manufacturing advantage



## SIMPLE

- 75% fewer components than existing products, while delivering 50 times more configurations than are available today
- Minimal training required for deployment across multiple applications
- New Octopus™ gel seal technology for ease of installation and servicing of closures

## Today's products get better with NOVUX

CommScope has logged tens of thousands of hours with customers around the globe. We listened and learned about what worked and what didn't—and we continued to improve our products along the way. NOVUX is the natural evolution of today's products.

With the new NOVUX architecture, CommScope is ensuring today's products get better and are future-proofed with backward compatibility, making it easy to maximize today's infrastructure while moving toward the future. For example, the new Prodigy™ small-form hardened connector is universally

compatible with multiple hardened fiber connectors, making it a game-changer in plug-and-play fiber-to-the-home (FTTH) solutions.

In addition, NOVUX allows CommScope to offer new products for increasingly diverse distribution and drop network applications. These solutions, which include specialty closures, allow fiber to go deeper into the network, serving evolving needs for broadband connectivity. For example, the new NOVUX SEC and SRC closures bring agility and flexibility to deployments.



# The vision for the future and the expertise to get there—together

## Portfolio expansion

The NOVUX™ FTTX ecosystem provides the platform from which all FTTH-viable network architectures and applications for new builds and upgrades can be built today and for several decades in the future. A number of closures and terminals are available today and more are in development.

NOVUX closures and terminals*					
Technologies	Dome closures	Inline closures	Compact closures	Hardened closures	Hardened terminals
Standard	●	●	●	●	●
Optical tap	●	●	●	●	●
WDM	●	●	●	●	●
Multi-fiber		●	●	●	●
Fiber indexing			●		●
Pre-cabled	●		●		●
Multiple sizes	●	●	●	●	●
Other	Specialty closures and terminals				

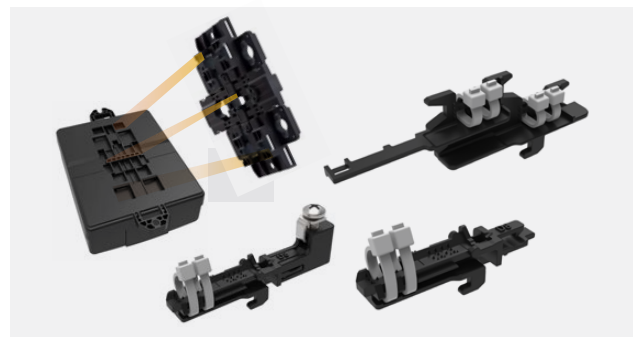
\*Development for specific NOVUX components is ongoing. This chart represents CommScope's road map for prospective future releases.

Please contact your CommScope representative for NOVUX product releases and visit us at [www.commscope.com/novux](http://www.commscope.com/novux) for updates.



## Technology expansion and efficiency

With NOVUX, operators have a unique ability to introduce and use new technologies quickly in all the products across the platform. NOVUX is a harmonized and upgraded platform architecture with improved consistency and field application. It features standardized interfaces across products and accessories, a unique network ID and uniform training and documentation.



Standardized interfaces and modules



# It's simple. It's NOVUX.



**CONFIGURATION AND ORDERING**

### You choose, because not all networks are the same

NOVUX's modular architecture allows networks to deliver the right products for the application. The closures and terminals are available in a variety of sizes and technologies, including single- and multi-fiber splitters, WDM, fiber indexing and optical tap configurations.

- Modern configure-to-order system optimizes the selection process
- Back-end SAP integration ensures fast operations processing
- CommScope customers and partners can use the ordering system



**TRAINING**

### Ready for the field workforce of the future

NOVUX's modular architecture extends to the creation and integration of training installation materials and videos. Common features among all NOVUX components mean less training across multiple applications and fewer field installation errors.

- Uniform installation practices and documentation speed cross-training
- CommScope experts who are part of the design and validation process provide classroom/field training and bring a world-class view of best practices

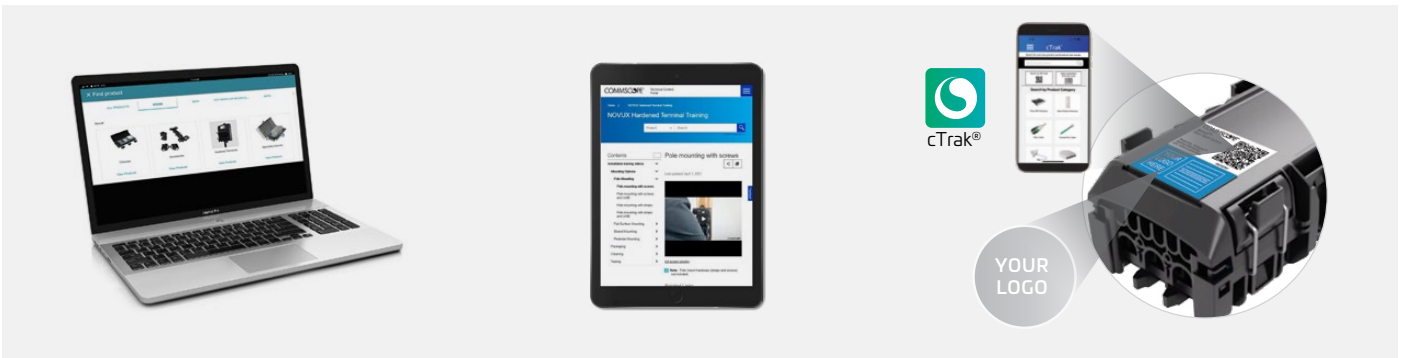


**DIGITAL FIELD ACCESS**

### One-click access to all product information

Yes, there's an app for it! NOVUX's closures and terminals come with unique QR codes that allow field installers to access CommScope's cTrak® app. With one click, cTrak provides a wealth of product information, specifications, installation instructions, videos, schematics, and test results. cTrak is powerful and simple to navigate.

NOVUX's closures and terminals also offer an optional customer-configurable ID plate to help field installers identify closures quickly.







## Sustainability

### Investing in the planet

CommScope designed NOVUX using sustainable practices for packaging, labeling and installation, helping customers meet their own corporate sustainability goals.

- All components come in compact, convenient packaging for optimal environmental benefit
- NOVUX minimizes single-use plastic

Learn more about  
CommScope sustainability

[LEARN MORE](#)

CommScope pushes the boundaries of communications technology with game-changing ideas and ground-breaking discoveries that spark profound human achievement. We collaborate with our customers and partners to design, create and build the world's most advanced networks. It is our passion and commitment to identify the next opportunity and realize a better tomorrow. Discover more at [commscope.com](https://commscope.com).



---

[commscope.com](https://commscope.com)

Visit our website or contact your local CommScope representative for more information.

© 2021 CommScope, Inc. All rights reserved.

Unless otherwise noted, all trademarks identified by ® or ™ are registered trademarks or trademarks, respectively, of CommScope, Inc. This document is for planning purposes only and is not intended to modify or supplement any specifications or warranties relating to CommScope products or services. CommScope is committed to the highest standards of business integrity and environmental sustainability, with a number of CommScope's facilities across the globe certified in accordance with international standards, including ISO 9001, TL 9000, and ISO 14001. Further information regarding CommScope's commitment can be found at [www.commscope.com/corporate-responsibility-and-sustainability](https://www.commscope.com/corporate-responsibility-and-sustainability).

BR-115670-EN (05/21)