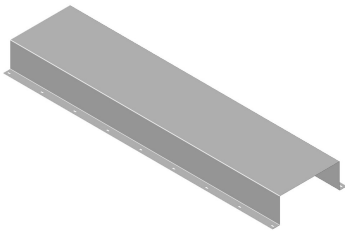


WC-SC12D



Z-bracket, Wall Coaxial Cable Support Covers for SnapStak® Snap-in Hangers, four coaxial cable runs

Product Classification

Product Type Cover

General Specifications

Cable Runs, quantity 4

Mounting Walls

Dimensions

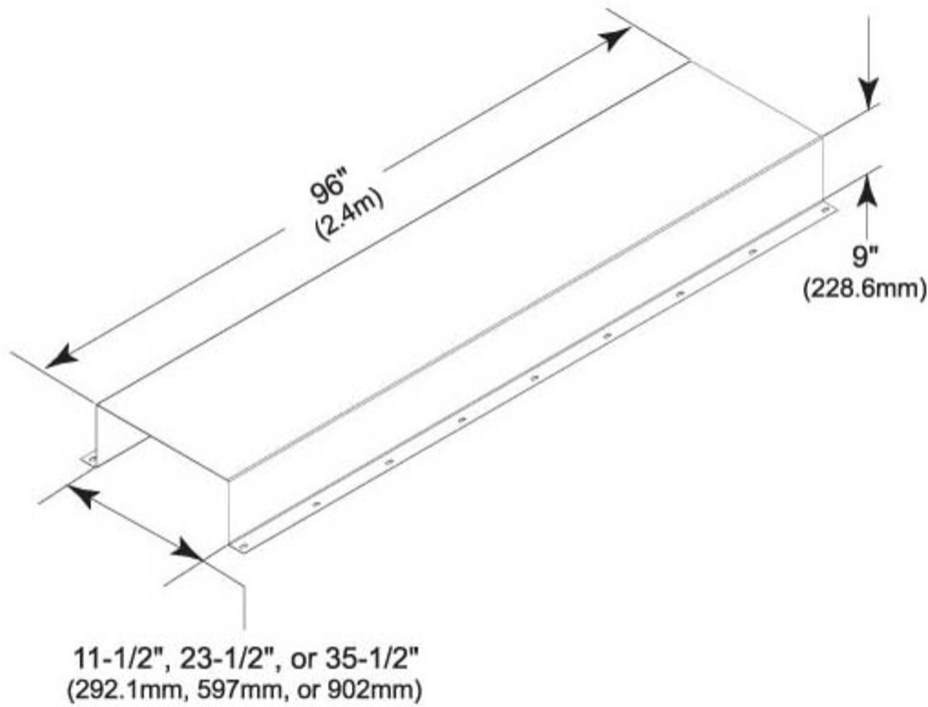
Height 228.6 mm | 9 in

Width 914.4 mm | 36 in

Length 2,438.4 mm | 96 in

WC-SC12D

Outline Drawing



Material Specifications

Material Type Galvanized steel

Mechanical Specifications

Wind Rating For Specifications, please contact steelproducts@commscope.com or call 800-255-1479

Packaging and Weights

Included Cover
Packaging quantity 1
Weight, net 57 kg | 125.663 lb

Regulatory Compliance/Certifications

Agency	Classification
CHINA-ROHS	Below maximum concentration value

WC-SC12D

ISO 9001:2015

Designed, manufactured and/or distributed under this quality management system

REACH-SVHC

Compliant as per SVHC revision on www.commscope.com/ProductCompliance

ROHS

Compliant



* Footnotes

Wind Rating

BWS—Base Wind Speed; FBC—Florida Building Code