

4

3

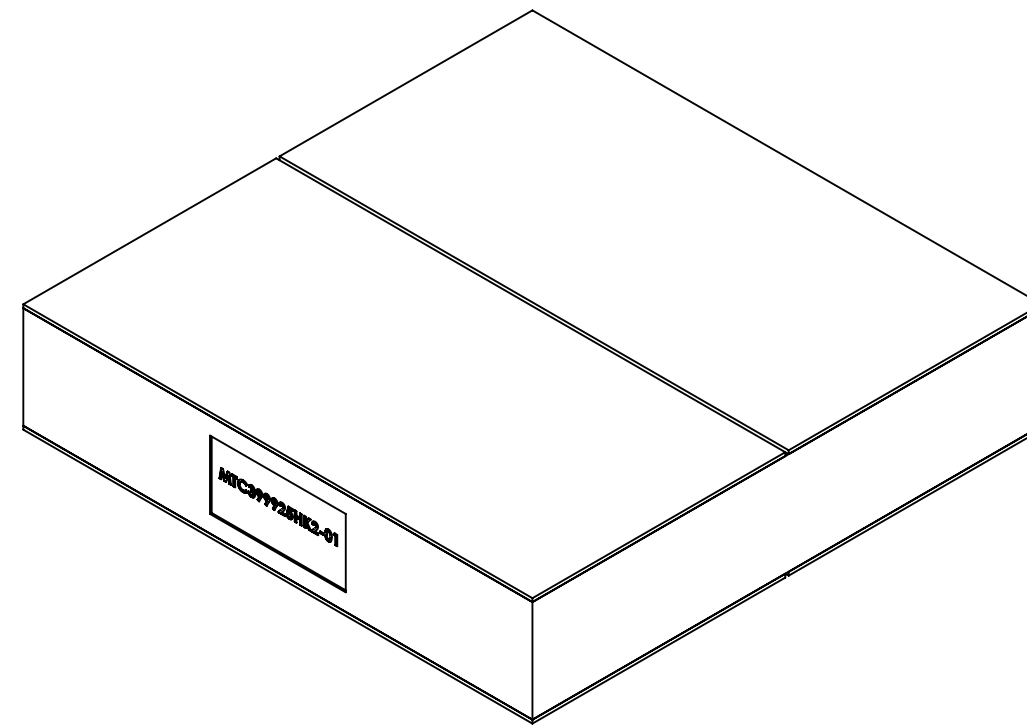
2

1

NOTES:

- 1.0 GENERAL NOTES
  - 1.1 ALL METRIC DIMENSIONS ARE IN BRACKET
- 2.0 DESIGN NOTES
  - 2.1 FULL RANGE MAX. 13 1/2" AND MIN. 6"
- 3.0 MANUFACTURING/SPECIAL REQUIREMENTS
- 4.0 TEST
- 5.0 PACKAGING
  - 5.1 PLACE ALL LOOSE HARDWARE IN POLYBAG.
  - 5.2 INSERT DRAWINGS # 860636779-3

REVISIONS				
REV.	ECN	DESCRIPTION	BY	DATE
A	8000033763	INITIAL RELEASE	JE1043	1/30/2019
B	8000040622	CORRECTED DRAWING TITLE	BL1053	5/6/2020
C	8000044500	BOX ITEM 8000 BX7 WAS ITEM 7 BX14146; ADJUSTED ITEM NO. SEQUENCE FROM ITEM 7.	HDAI	12/24/2020



ITEM NO.	PART NUMBER	DESCRIPTION	WEIGHT	QTY.
1	MTM104801	MC TOP MOUNTING PLATE	10.78 LBS	1
2	MTM104802	PIPE CLAMP BRKT	2.97 LBS	3
3	MTM104803	ANTENNA MOUNT BRACKET, TRIPOD	6.33 LBS	1
4	MTF154402	3/8" X 1" GALV SHORT SHANK CARRIAGE BOLT	0.04 LBS	3
5	GB-03105	3/8" X 1" GALV BOLT KIT	0.05 LBS	3
6	MT-377	3/8" X 12" GALV THREADED ROD	0.37 LBS	6
7	GWL-03	3/8" GALV LOCK WASHER	0.01 LBS	20
8	GN-03	3/8" GALV HEX NUT	0.02 LBS	32
9	GWF-03	3/8" GALV FLAT WASHER	0.01 LBS	20
8000	BX7	15X15X3 KRAFT BOX	0.76 LBS	1

<b>COMMSCOPE, INC. OF NORTH CAROLINA</b>										
TOLERANCES					SAP MATERIAL MASTER					
1 PLACE .X ± 0.125		3 PLACE .XXX ± 0.020			<b>860636779-3</b>					
2 PLACE .XX ± 0.060		ANGLES ± 0.5°								
FINISH GALV A123					MATERIAL N/A					
UNLESS OTHERWISE SPECIFIED DIMENSIONS ARE IN INCHES INTERPRET PER ANSI Y 14.5M-1994	CE	JE1043	01/30/2019	<b>METAL POLE TOP MOUNTING KIT, 8.5-12" OD</b>						
	RW	HDAI	12/23/2020							
	RV									
	AD	HDAI	12/24/2020							
	RE	ROGHANSON	12/28/2020							
ECN 008000044500				SCALE	DOCUMENT NO.					
				<b>1:4</b>	<b>860636779-3</b>					
SIZE	WORK AREA	24	MODEL			DRAWING				SHEET
<b>C</b>			VERSION	STATUS	REVISION	VERSION	STATUS	REVISION	1 OF 3	
			04	RE	C	04	RE	C		

DENSITY	0.012	lbs/in³
MASS	0.764	lbs
VOLUME	62.178	in³
SURFACE AREA		in²
HEIGHT	10.34	
LENGTH	14.00	
WIDTH	10.34	

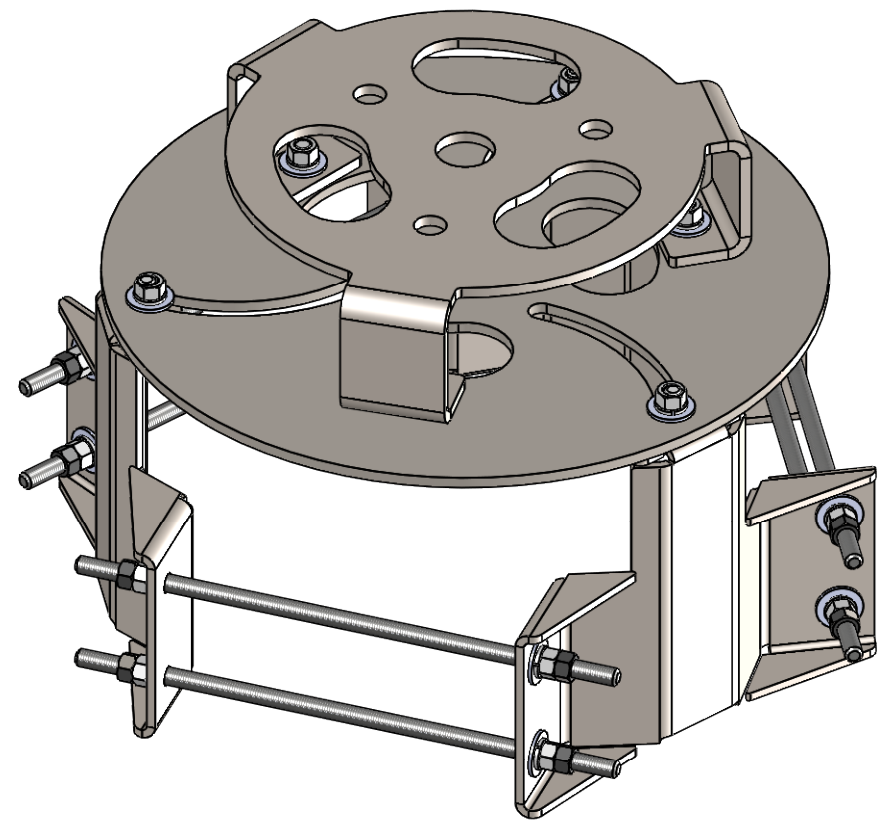
4

3

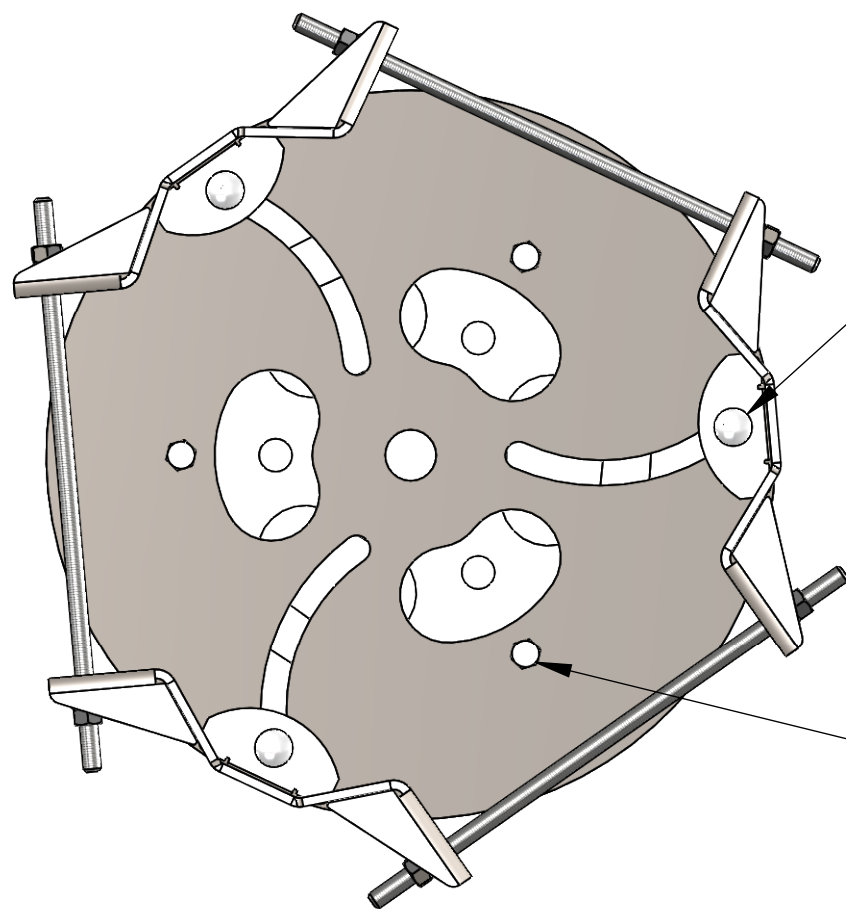
2

1

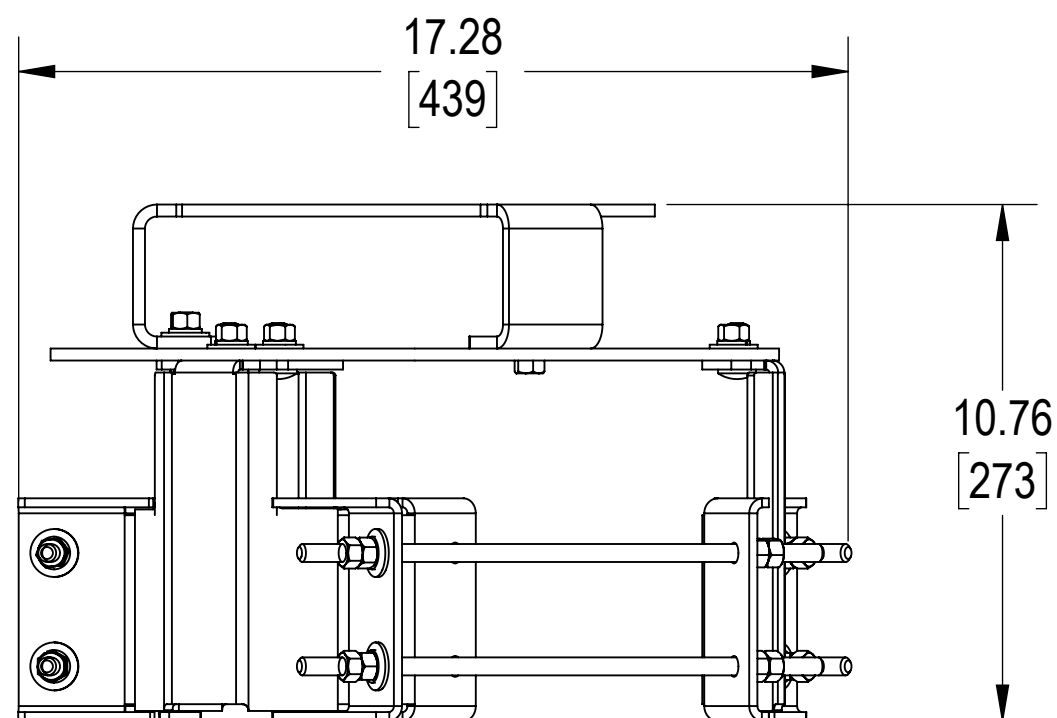
NOTES:



**POLE TOP MOUNTING KIT - SHOWN FULLY ASSEMBLED**  
ISO VIEW

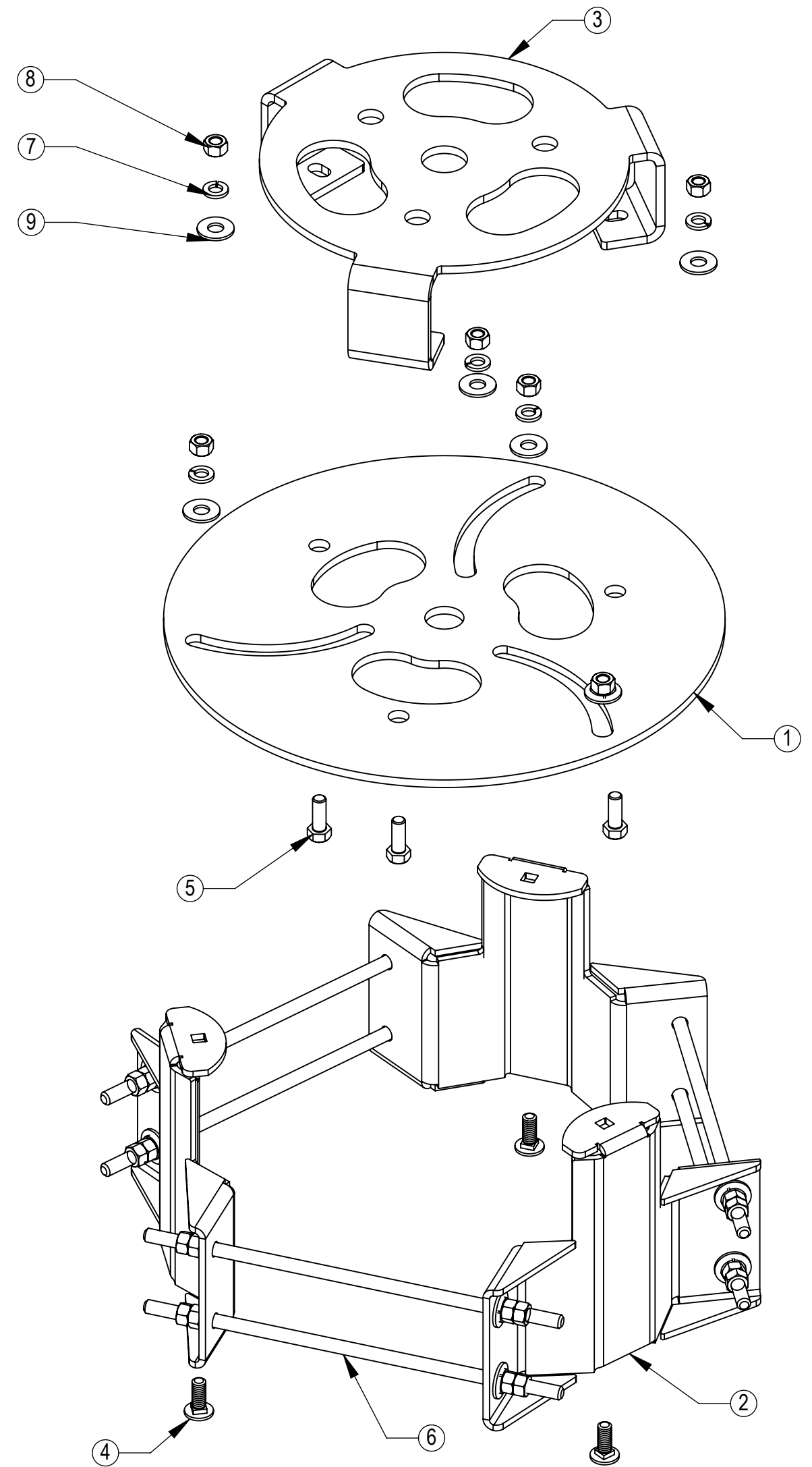


**POLE TOP MOUNTING KIT - SHOWN FULLY ASSEMBLED**  
BOTTOM VIEW



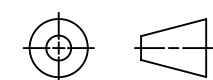
INSTALL 3/8" X 1" GALV SHORT SHANK CARRIAGE BOLT (MTF154402) THRU PIPE CLAMP BRKT (MTM104802) THRU MC TOP MOUNTING PLATE (MTM104801) ATTACH WITH NLF ASSEMBLY USAGE (NLF-03) 3X

INSTALL 3/8" X 1" GALV BOLT KIT (GB-03105) THRU MC TOP MOUNTING PLATE (MTM104801) THRU ANTENNA MOUNT BRACKET, TRIPOD (MTM104803) ATTACH WITH NLF ASSEMBLY USAGE (NLF-03) 3X



**POLE TOP MOUNTING KIT - SHOWN FULLY ASSEMBLED**  
EXPLODED VIEW

COMMSCOPE, INC. OF NORTH CAROLINA				
TITLE METAL POLE TOP MOUNTING KIT, 8.5-12" OD				
SIZE C	SCALE 1:4	DOCUMENT NO. 860636779-3		
		DRAWING		SHEET
		VERSION 04	STATUS RE	REVISION C
				2 OF 3



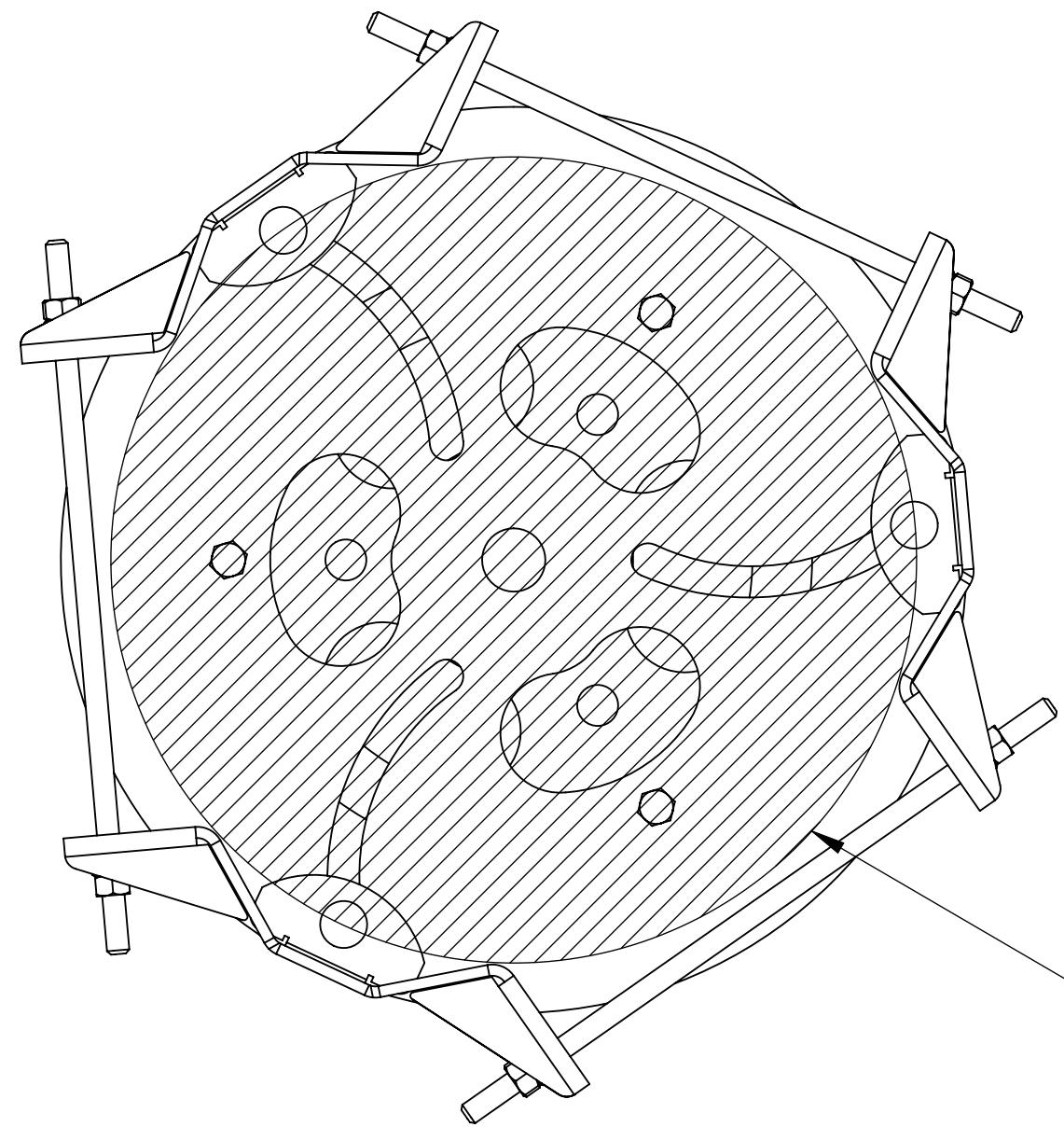
4

3

2

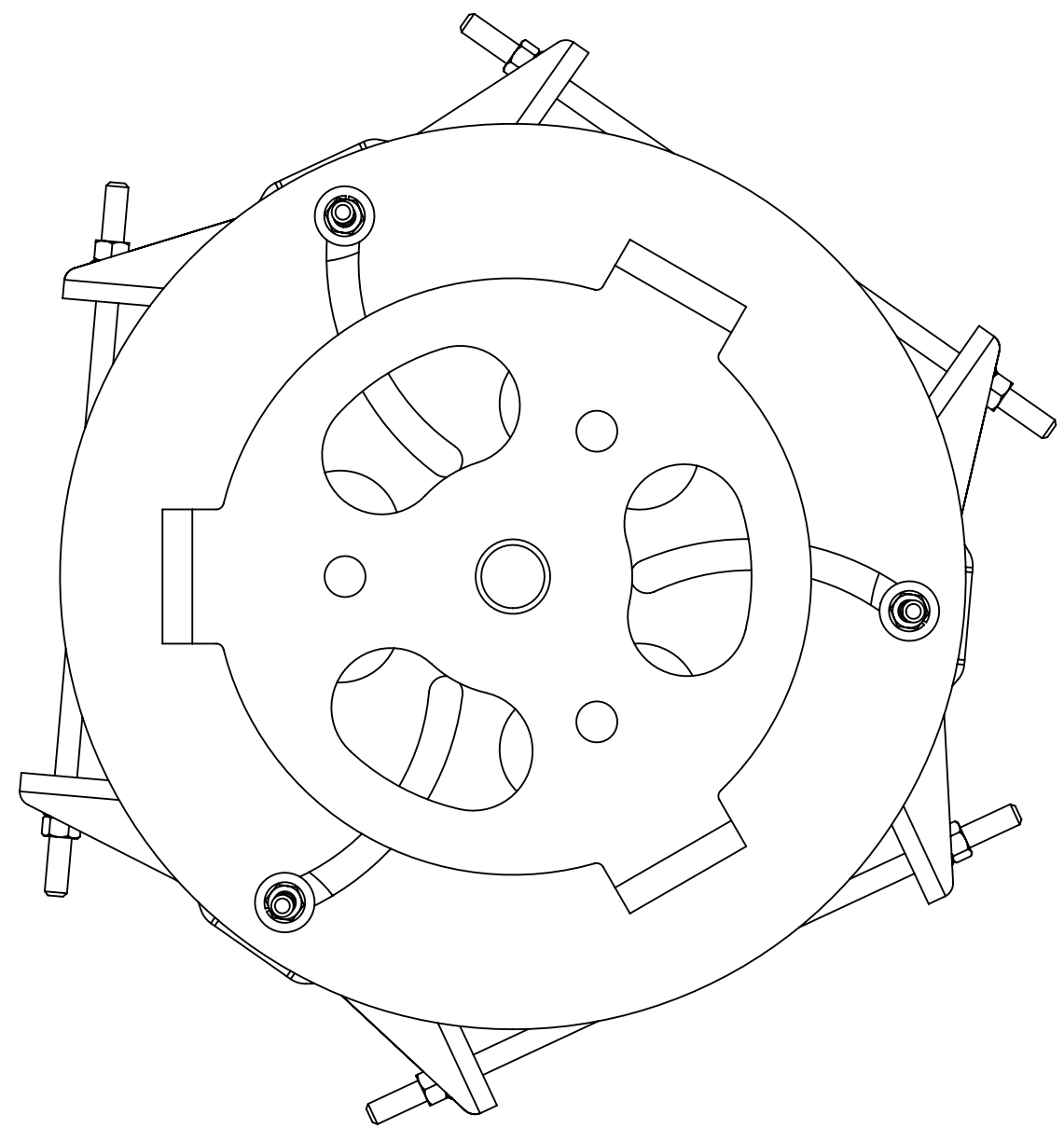
1

NOTES:

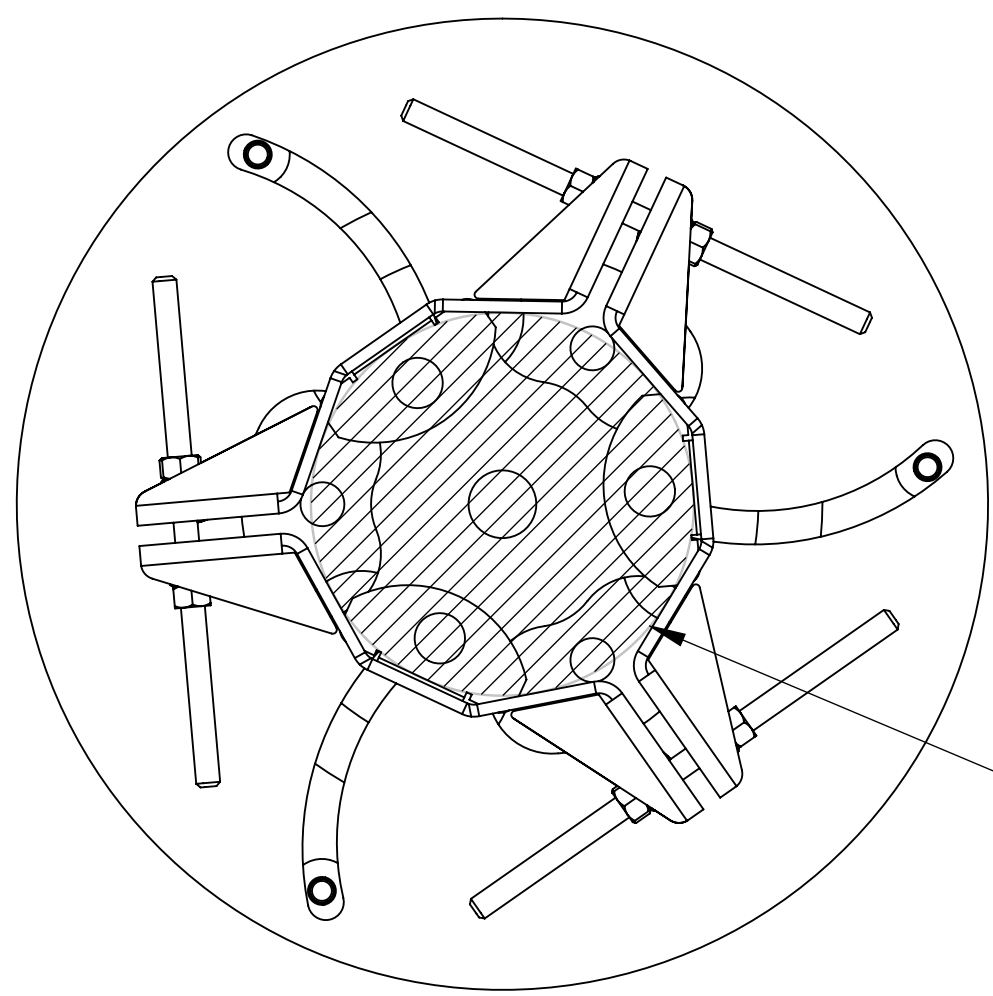


POLE TOP MOUNTING KIT - SHOWN FULLY ASSEMBLED  
BOTTOM VIEW

BOTTOM VIEW  
WITH  
13 1/2" POLE TOP  
FOR MAX.  
RANGE


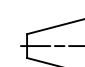


POLE TOP MOUNTING KIT - SHOWN FULLY ASSEMBLED  
TOP VIEW



POLE TOP MOUNTING KIT - SHOWN FULLY ASSEMBLED  
BOTTOM VIEW

BOTTOM VIEW  
WITH  
6" POLE TOP  
FOR MIN.  
RANGE

COMMSCOPE, INC. OF NORTH CAROLINA				
TITLE METAL POLE TOP MOUNTING KIT, 8.5-12" OD				
SIZE <b>C</b>	SCALE <b>1:4</b>	DOCUMENT NO. 860636779-3		
 		DRAWING		SHEET 3 OF 3
		VERSION 04	STATUS RE	

© 2020 CommScope, Inc.

4

3

2

1