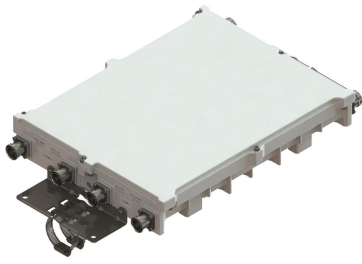


# TD-PCS-1-B3-B4B5 | E15Z50P65

---



Twin Inband Diplexer PCS B3-B4B5, DC sense

## Product Classification

**Product Type** Diplexer

## General Specifications

**Color** Gray

**Connector Interface** 7-16 DIN Female

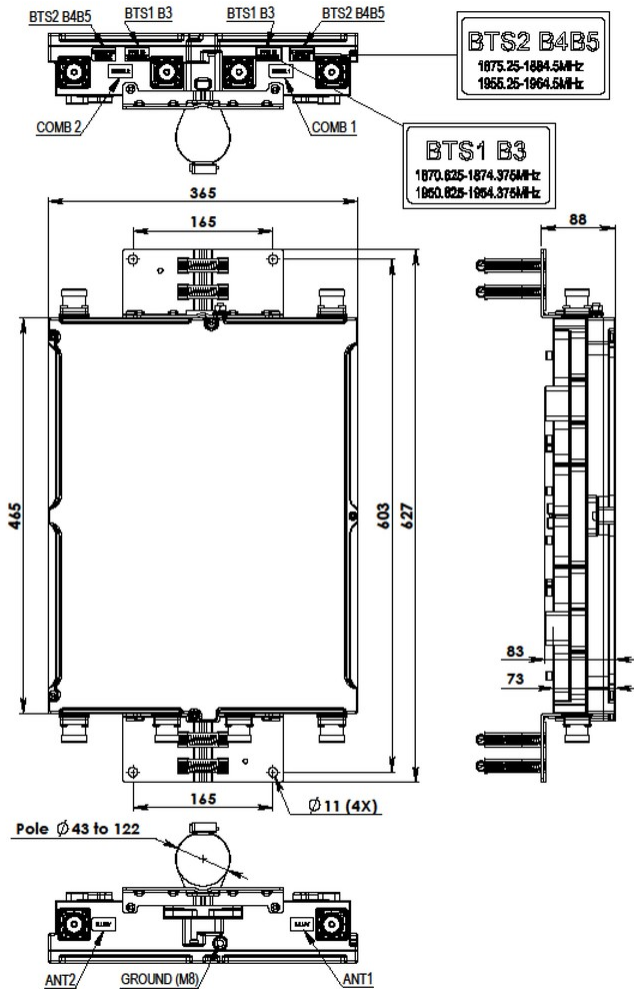
## Dimensions

**Height** 465 mm | 18.307 in

**Width** 365 mm | 14.37 in

**Depth** 90 mm | 3.543 in

## Outline Drawing



## Electrical Specifications

|   |                      |
|---|----------------------|
| <b>5th Order IMD Test Method</b>        | Two +43 dBm carriers |
| <b>5th Order IMD, maximum</b>           | -153 dBc             |
| <b>Lightning Surge Current</b>          | 10 kA                |
| <b>Lightning Surge Current Waveform</b> | 8/20 waveform        |

## Electrical Specifications, Rx (Uplink)

|                                |                         |
|--------------------------------|-------------------------|
| <b>Frequency Band</b>          | 1870.625 – 1874.375 MHz |
| <b>Insertion Loss, typical</b> | 0.8 dB                  |
| <b>Return Loss, typical</b>    | 18 dB                   |

# TD-PCS-1-B3-B4B5 | E15Z50P65

---

|                                   |        |
|-----------------------------------|--------|
| <b>Isolation, minimum</b>         | 28 dB  |
| <b>Total Group Delay, maximum</b> | 300 ns |

## Electrical Specifications 2, Rx (Uplink)

|                                   |                      |
|-----------------------------------|----------------------|
| <b>Frequency Band</b>             | 1875.25 – 1884.5 MHz |
| <b>Isolation, minimum</b>         | 28 dB                |
| <b>Isolation, typical</b>         | 28 dB                |
| <b>Total Group Delay, maximum</b> | 300 ns               |
| <b>Insertion Loss, typical</b>    | 0.8 dB               |

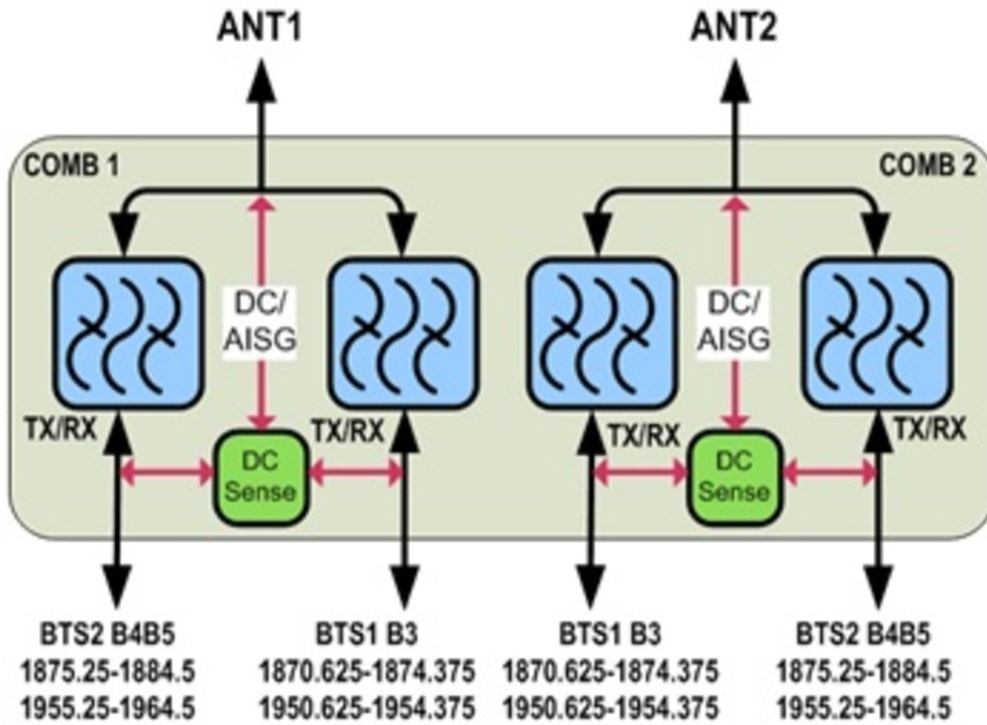
## Electrical Specifications, Tx (Downlink)

|                                   |                         |
|-----------------------------------|-------------------------|
| <b>Frequency Band</b>             | 1950.625 – 1954.375 MHz |
| <b>Isolation, minimum</b>         | 28 dB                   |
| <b>Isolation, typical</b>         | 28 dB                   |
| <b>Input Power, PEP, maximum</b>  | 3000 W                  |
| <b>Input Power, RMS, maximum</b>  | 100 W                   |
| <b>Total Group Delay, maximum</b> | 260 ns                  |
| <b>Insertion Loss, typical</b>    | 0.8 dB                  |
| <b>Return Loss, minimum</b>       | 18 dB                   |
| <b>Return Loss, typical</b>       | 18 dB                   |

## Electrical Specifications 2, Tx (Downlink)

|                                   |                      |
|-----------------------------------|----------------------|
| <b>Frequency Band</b>             | 1955.25 – 1964.5 MHz |
| <b>Insertion Loss, typical</b>    | 0.8 dB               |
| <b>Isolation, typical</b>         | 28 dB                |
| <b>Return Loss, minimum</b>       | 18 dB                |
| <b>Return Loss, typical</b>       | 18 dB                |
| <b>Total Group Delay, maximum</b> | 260 ns               |

## Block Diagram



## Environmental Specifications

**Operating Temperature** -40 °C to +65 °C (-40 °F to +149 °F)

**Ingress Protection Test Method** IEC 60529:2001, IP67

## Packaging and Weights

**Weight, net** 15.8 kg | 34.833 lb