

D54G01P82



Power Distribution Unit, multimode for single and dual band tower mounted amplifiers (TMAs)

Product Classification

Product Type Power distribution unit

General Specifications

Application Indoor

Color Light gray

LED Indicators, green Normal | Power supply

LED Indicators, red Alarm | dc/dc Converter

Modules per Unit, quantity 1

Output Control 6-position DIP switch

Output Interface 9-pin D-sub Female

Output Ports per Module, quantity 6

Dimensions

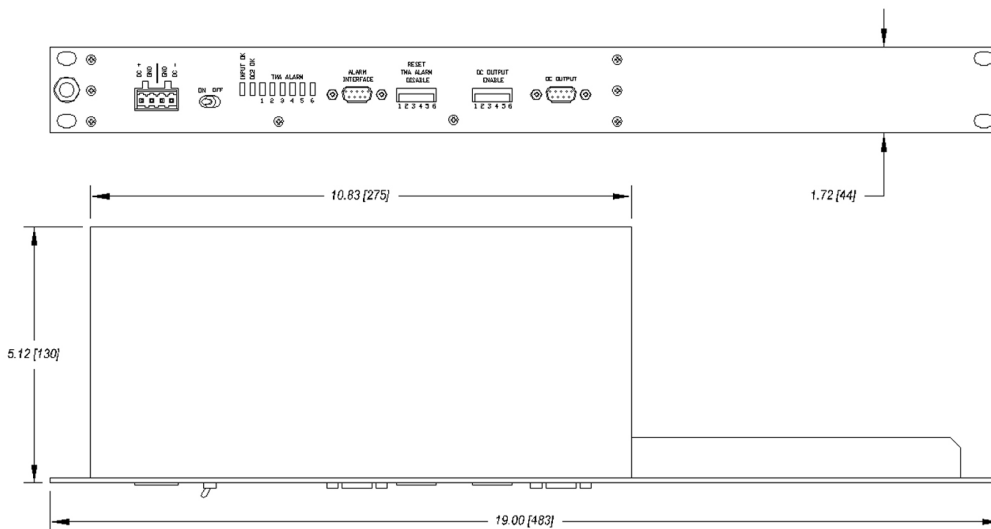
Height 44 mm | 1.732 in

Width 483 mm | 19.016 in

Depth 130 mm | 5.118 in

D54G01P82

Outline Drawing



Electrical Specifications

Input Lightning Surge Current	1 kA
Input Lightning Surge Current Waveform	8/20 waveform
Input Overcurrent Protection	Internal slow blow fuse
Input Voltage, operational	20–60 Vdc
Output Current per Port, maximum	400 mA
Output Current, maximum	2.2 A
Output Lightning Surge Current	2 kA
Output Lightning Surge Current Waveform	8/20 waveform
Output Overcurrent Protection	Hiccup mode current limiting
Output Voltage Ripple, maximum	100 mVpp
Output Voltage, typical	12 V
Alarm Control	6-position DIP switch
Alarm Current Range, high setting	175–312 mA
Alarm Current Range, low setting	20–163 mA
Alarm Interface	9-pin D-sub Female
Alarm Relays	Normally closed Normally open
Electrical Safety Standard	CE EN 60950
Power Consumption, maximum	40 W

D54G01P82

Power Supply Control

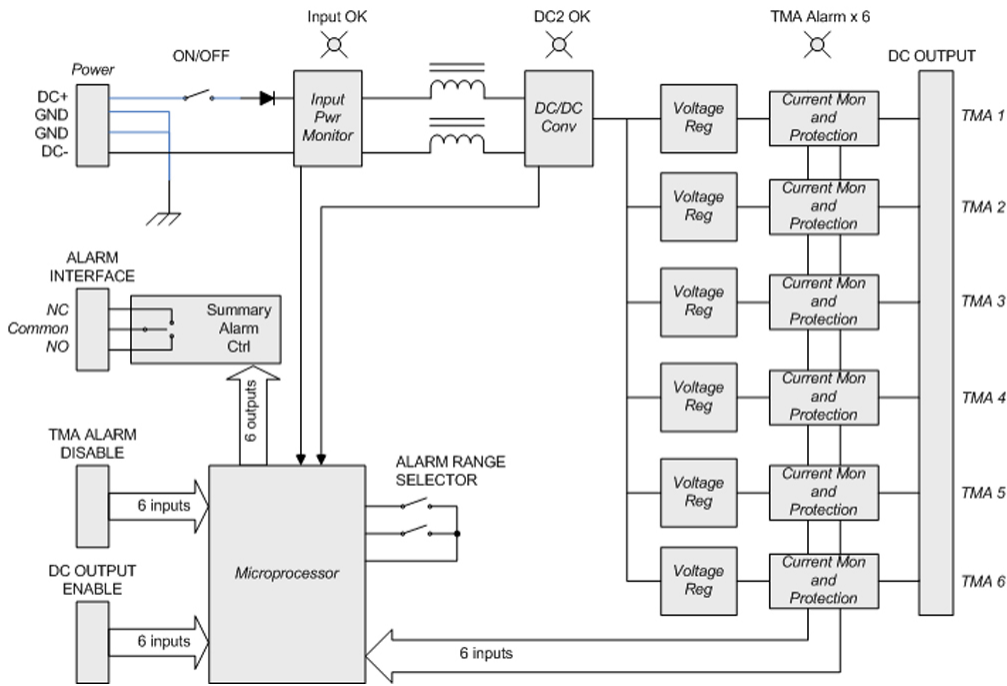
Toggle switch

Power Supply Interface

4-pin single row header Male

D54G01P82

Block Diagram



Environmental Specifications

Operating Temperature -10 °C to +60 °C (+14 °F to +140 °F)

Ingress Protection Test Method IEC 60529:2001, IP20

Packaging and Weights

Weight, net 1.1 kg | 2.425 lb