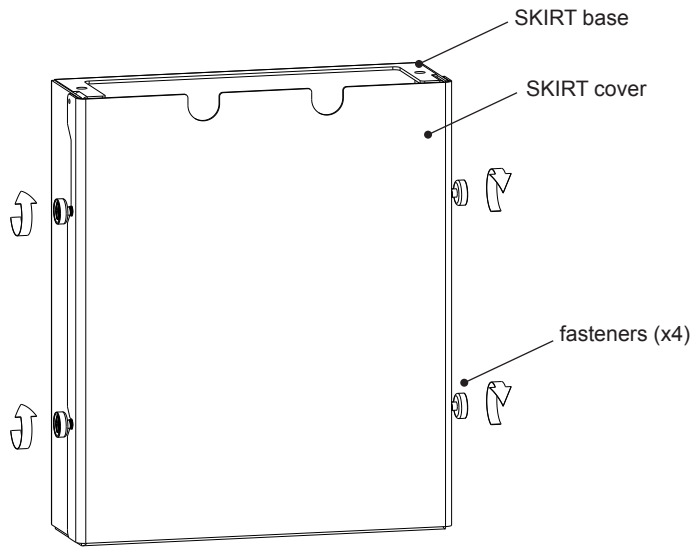
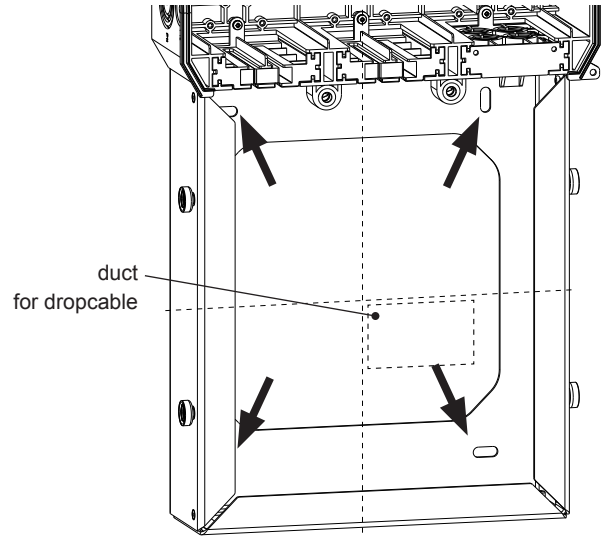


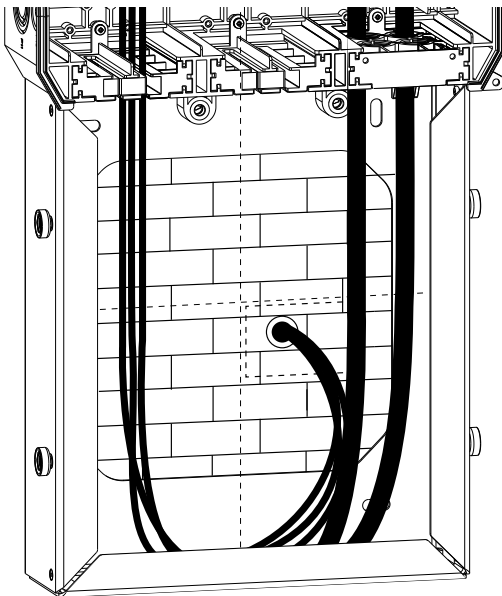
- 1.1 There are two kits available, a 12"L SKIRT kit and a 24"L SKIRT kit.
1.2 Rotate fasteners counterclockwise to unlock and lift off the cover. Don't take out the fasteners.



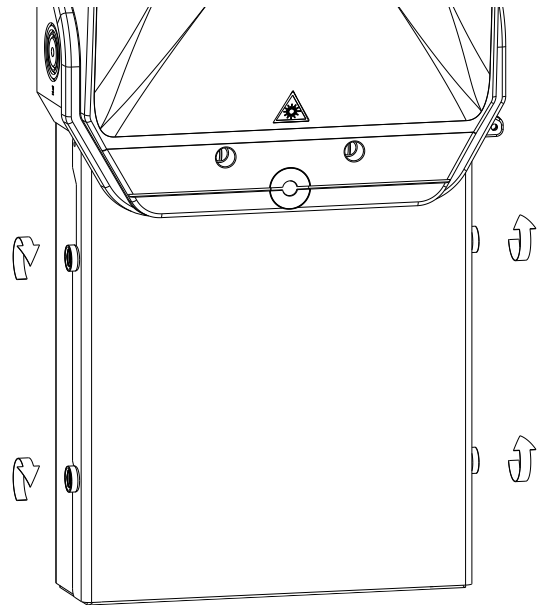
- 2.1 Place the SKIRT against the wall, with its top surface flush with the bottom of the BUDI-S box.
Note: center the SKIRT with the BUDI. If a duct for dropcable is present, position it in the lower right quadrant of the skirt opening.
2.2 Mark the 4 mounting positions. Mount the SKIRT per local practice (mounting screws not included in the kit).



3. Arrange the cables and the pigtails in the SKIRT with respect to their bend radius. If a conduit fitting is required, drill hole for fitting using a hole saw bit. See point 5.



4. Re-mount the cover of the SKIRT and rotate the fasteners clockwise to lock. Refer to the BUDI-S installation instruction for cable and pigtail installation. Assemble BUDI-S cover to BUDI-S box.



5. If a conduit fitting is required, drill hole along side or bottom using a hole saw bit. Conduit can be installed to all sides except the top.

Note: position the hole to ensure fitting does not interfere with cover operation.

