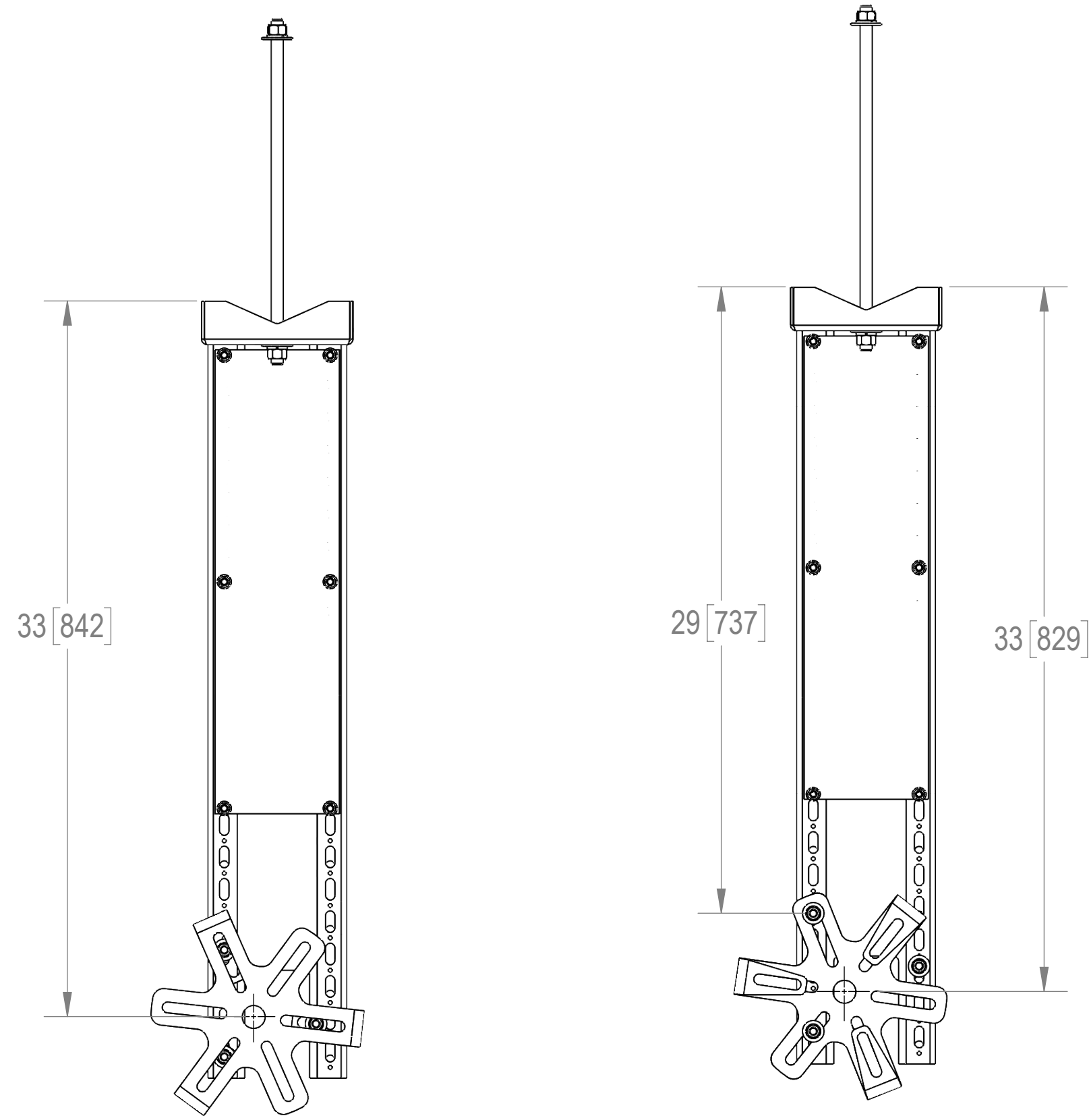
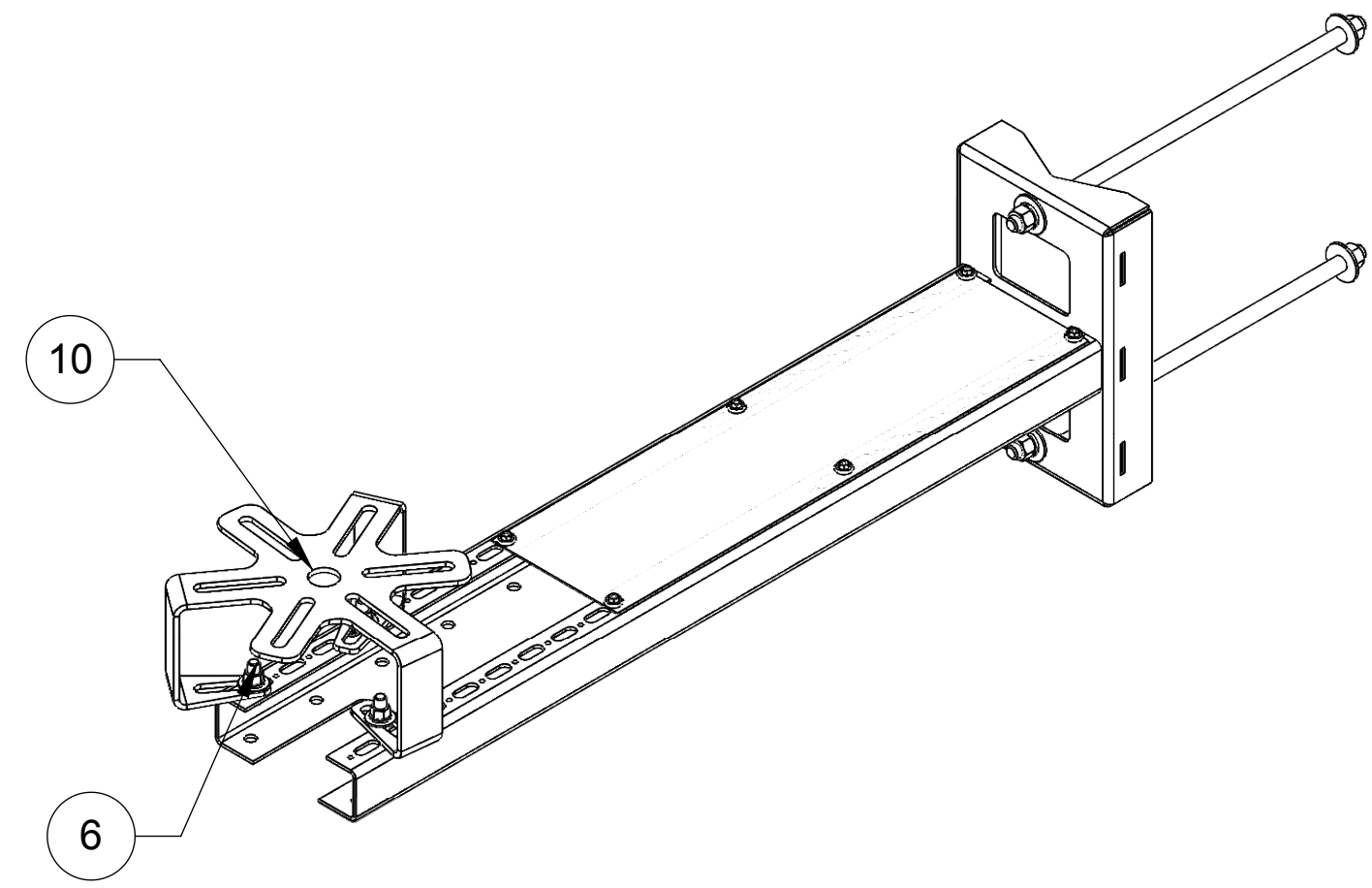


NOTES:

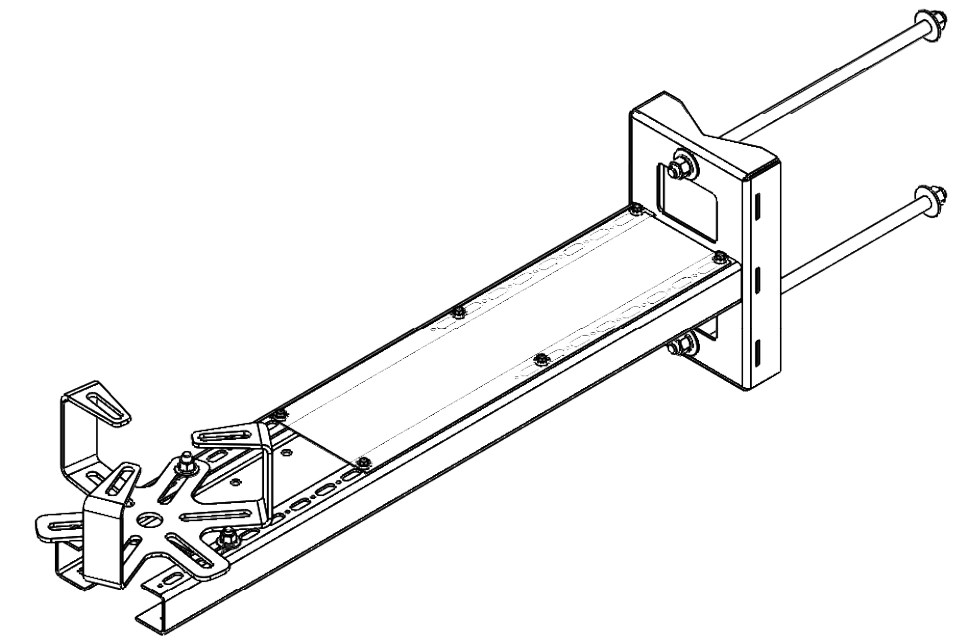


UNIVERSAL ANTENNA MOUNT

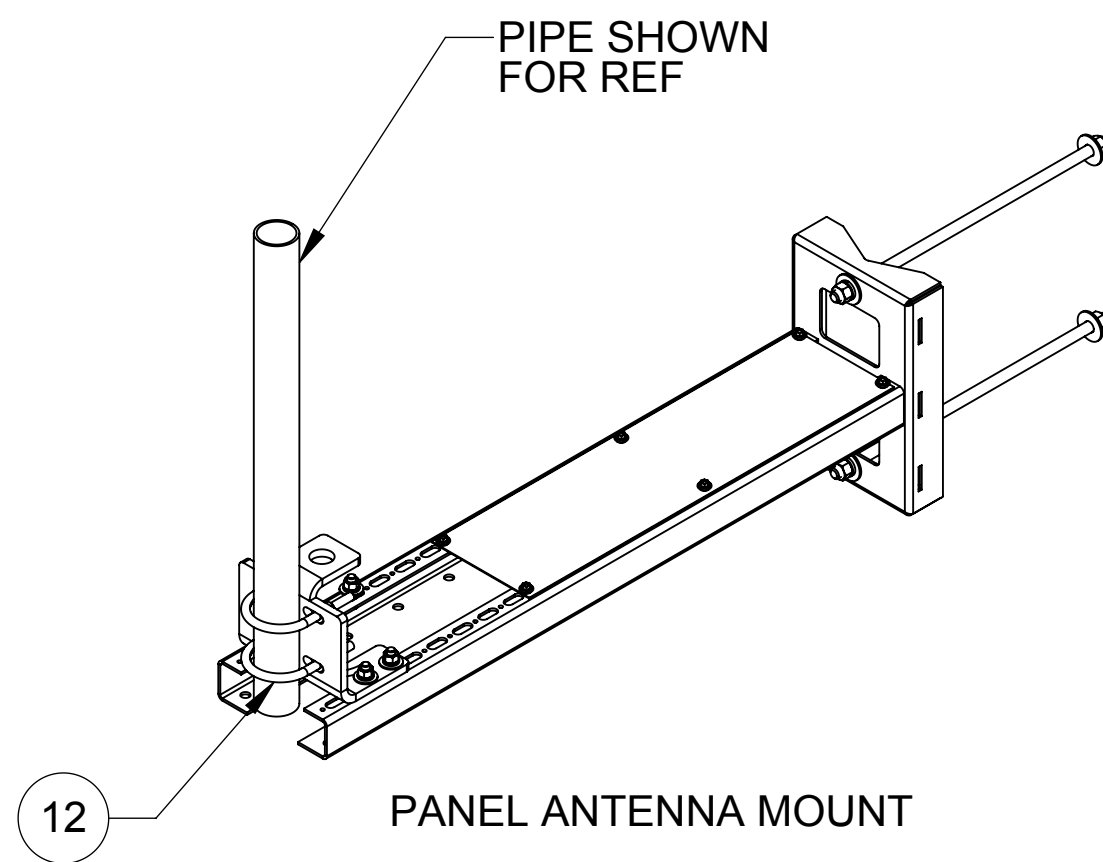
UNIVERSAL ANTENNA MOUNT FLIPPED



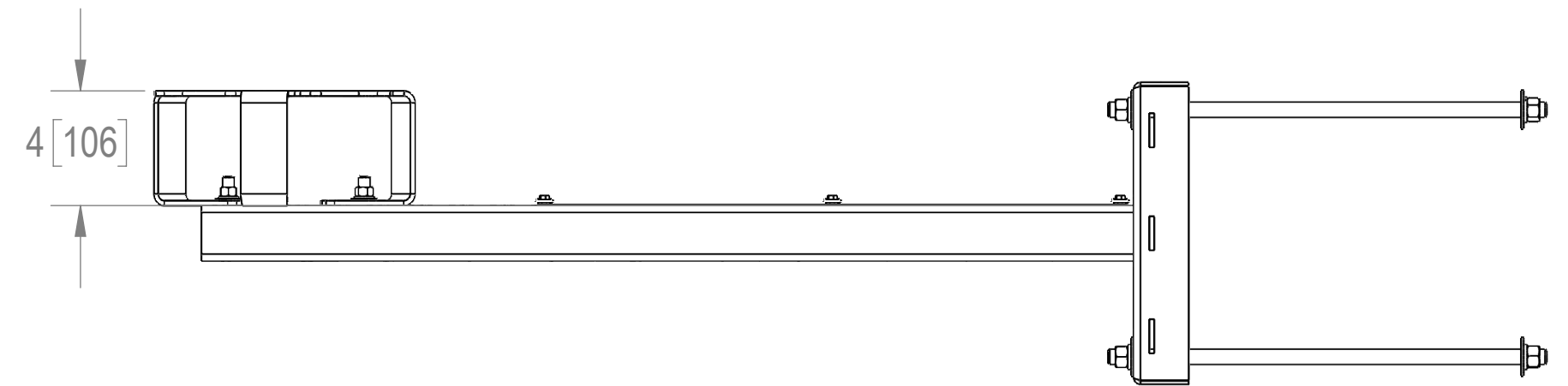
UNIVERSAL ANTENNA MOUNT SET-UP



UNIVERSAL ANTENNA MOUNT SET-UP FLIPPED



PANEL ANTENNA MOUNT



COMMSCOPE, INC. OF NORTH CAROLINA				
TITLE SMALL CELL SIDE MOUNT, 36" STANDOFF				
SIZE C	SCALE 1:4	DOCUMENT NO. SCSM3		
		DRAWING		SHEET
		VERSION 03	STATUS RE	REVISION F
				2 OF 2