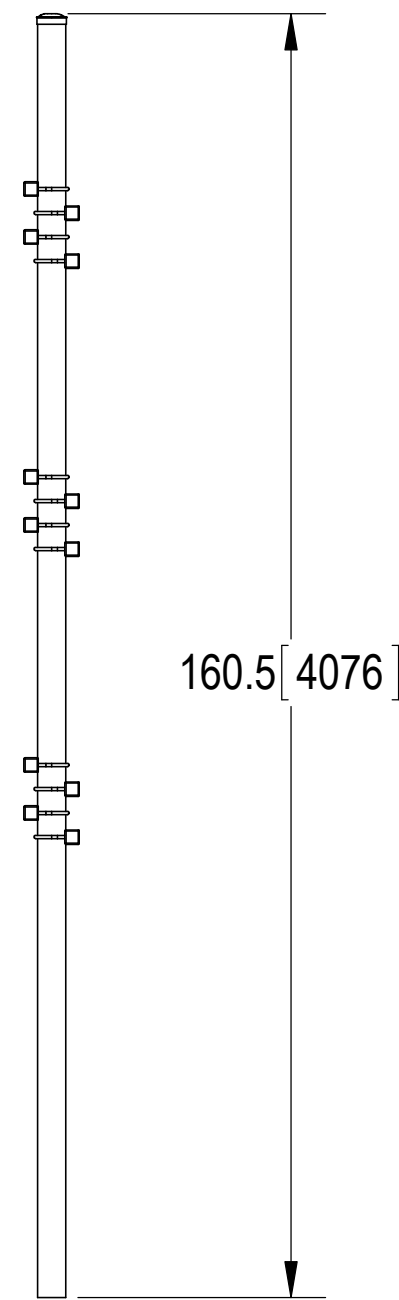
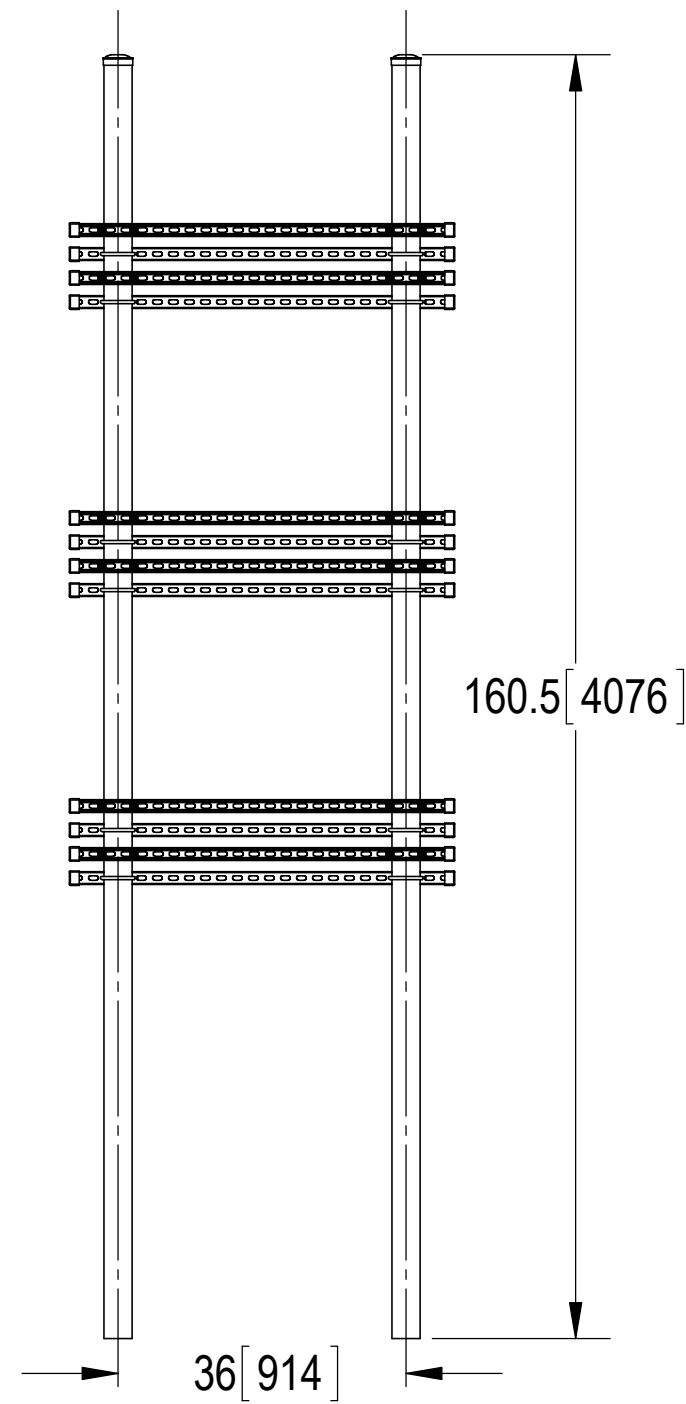
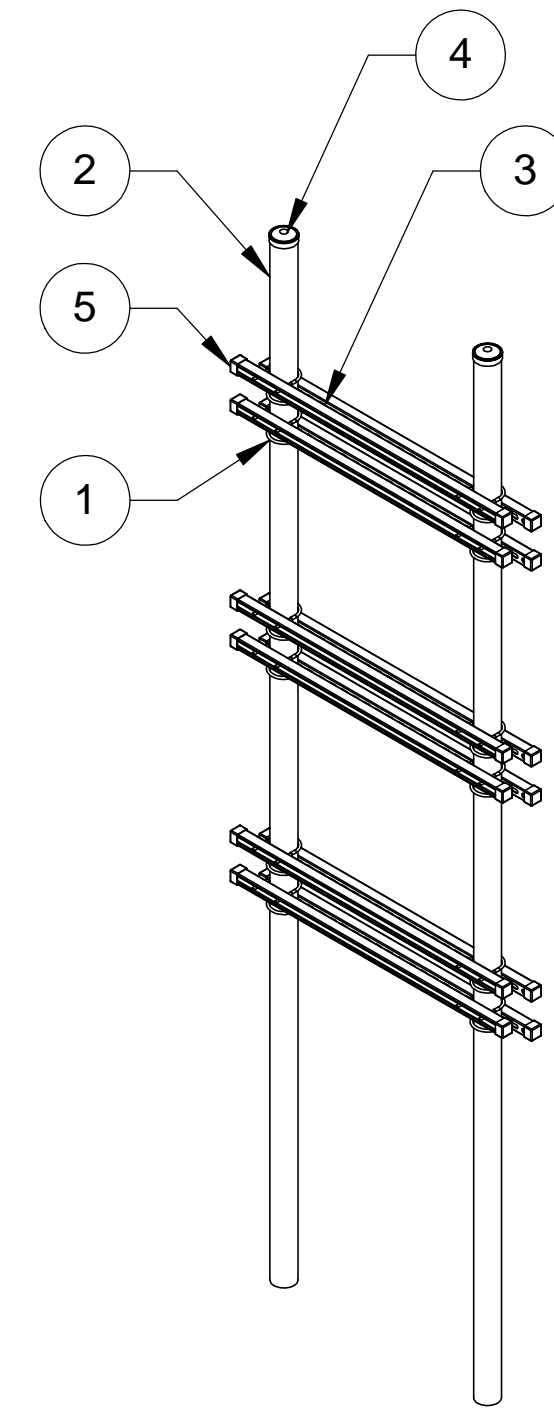
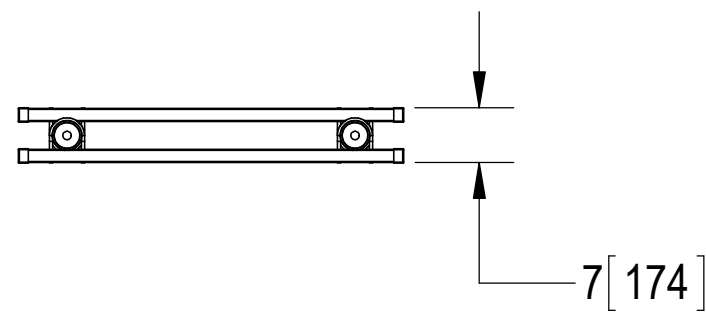


NOTES:

1.0 ALL METRIC DIMENSIONS ARE IN BRACKETS.

REVISIONS				
REV.	ECN	DESCRIPTION	BY	DATE
A	8000028694	INITIAL RELEASE	MRC	03/01/18



<b>COMMSCOPE, INC. OF NORTH CAROLINA</b>										
TOLERANCES					SAP MATERIAL MASTER					
0 PLACE X ± .25		2 PLACE .XX ± .06			<b>MTC401548H</b>					
1 PLACE .X ± .12		ANGLES ± 2°								
FINISH					MATERIAL					
<b>GALV A123</b>					<b>A500, A568</b>					
UNLESS OTHERWISE SPECIFIED DIMENSIONS ARE IN MILLIMETERS INTERPRET PER ISO STANDARDS HANDBOOK TECHNICAL DRAWINGS VOLUMES 1 & 2, THIRD EDITION (2002)		NAME	DATE	TITLE						
		CE	MRC	11/20/17	<b>H-FRAME, 2 POSTS, 12 UNISTRUTS</b>					
		RW								
		AD								
		RE	TP	11/20/17						
SCALE	DOCUMENT NO.									
<b>1:24</b>	<b>MTC401548H</b>									
ECN	8000028694									
SIZE	WORK AREA		MODEL			DRAWING				
<b>C</b>			VERSION	STATUS	REVISION	VERSION	STATUS	REVISION	SHEET	
								<b>A</b>	1 OF 1	

ITEM	PART NO.	DESCRIPTION	QTY.	WEIGHT	NOTE NO.
1	GUB-3355	3/8" X 3-5/8" X 5-1/4" GALV U-BOLT	24	0.40 LBS	
2	MF130165	3-1/2" O.D. X 160" L SCH 40 PIPE	2	78.64 LBS	
3	MT50448	1-5/8" SQ. SUPPORT RAIL 48" LONG	12	7.26 LBS	
4	PC-034	Ø 3 1/2" PIPE CAP	2	0.54 LBS	
5	PTCR01	END CAP	24	0.05 LBS	

DENSITY	0.28	lbs/in <sup>3</sup>
MASS	257.95	lbs
VOLUME	929.97	in <sup>3</sup>
SURFACE AREA		in <sup>2</sup>
HEIGHT		
LENGTH		
WIDTH		