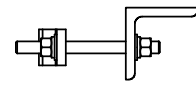
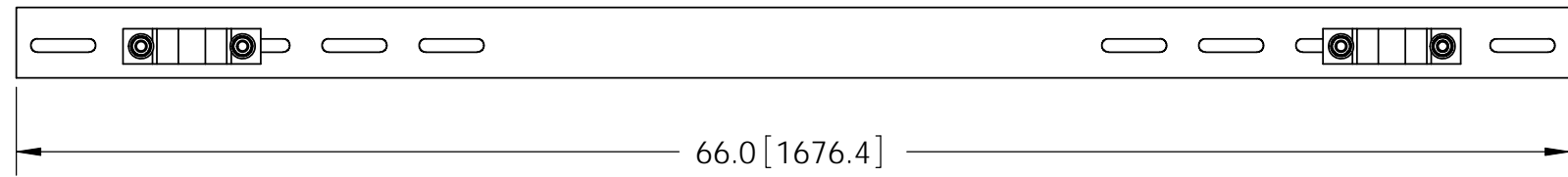
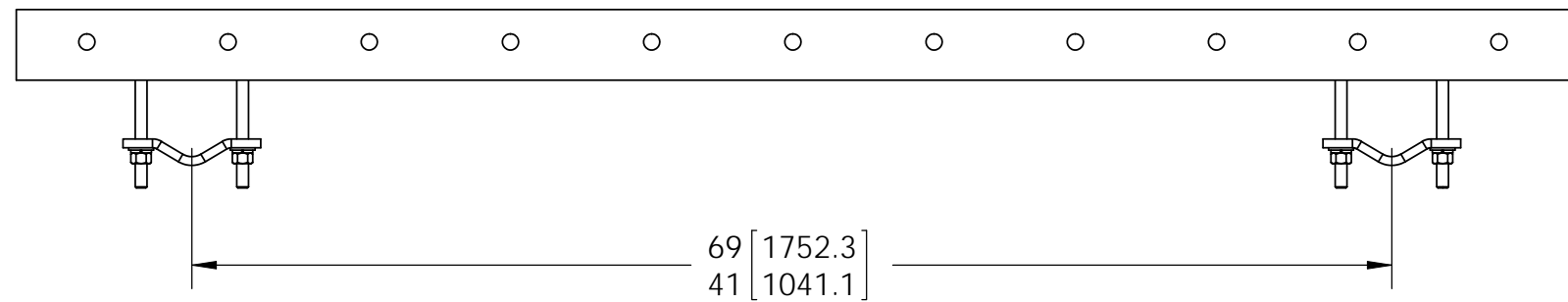
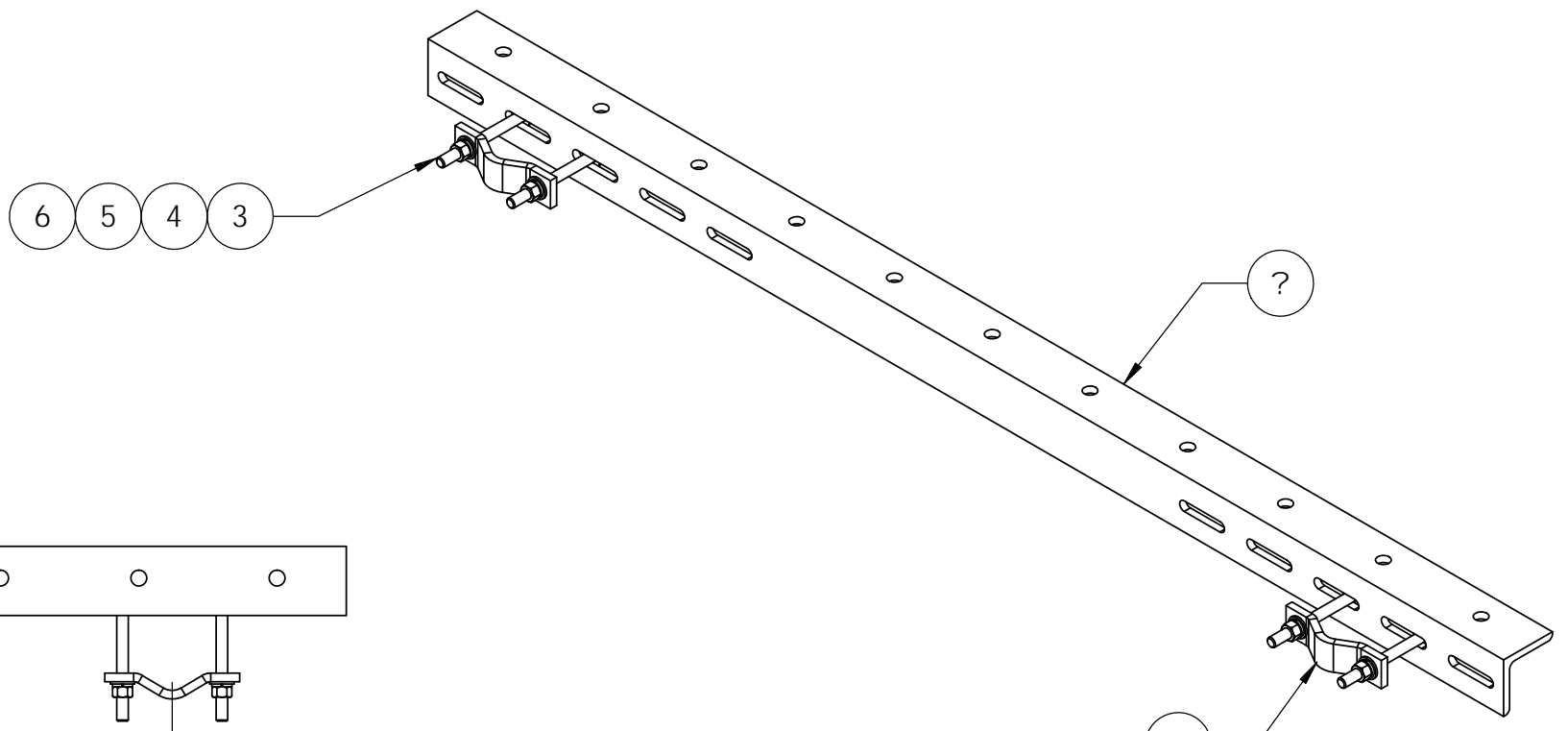


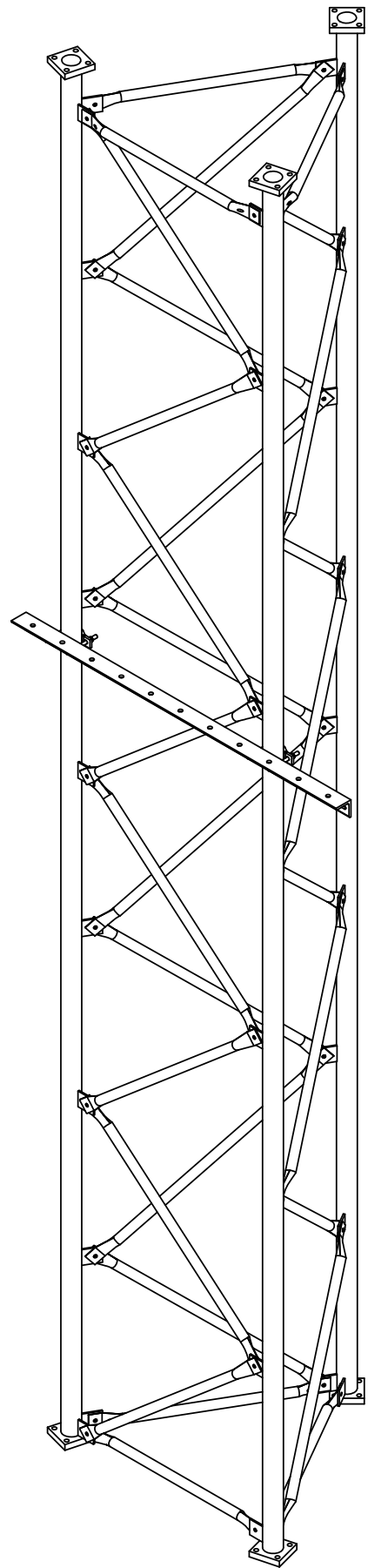
ITEM	PART NO.	DESCRIPTION	QTY.	WEIGHT
1	MDFSS01	Face Strut Support Angle	1	37.11 LBS
2	MDFSS02	1.5" - 3.5" O.D. Clamp Half	2	0.91 LBS
3	MT-379-6	1/2" X 6" GALV THREADED ROD	4	0.33 LBS
4	GWF-04	1/2" GALV FLAT WASHER	8	0.01 LBS
5	GWL-04	1/2" GALV LOCK WASHER	8	0.04 LBS
6	GN-04	1/2" GALV HEX NUT	8	0.08 LBS

REVISIONS				
REV.	ZONE	DESCRIPTION	BY	DATE
A		INITIAL RELEASE	MSM	04/20/11
B		CHANGE MATERIAL FROM 1/4" TO 3/8"	MSM	06/01/11



- NOTES:
- ALL METRIC DIMENSIONS ARE IN BRACKETS.
 - 31" - 59" TOWER FACE SPCING.
 - 1-1/2" - 3-1/2" TOWER LEGS.

<small>These drawings and specifications are the proprietary property of ANDREW CORPORATION and may be used only for the specific purpose authorized in writing by Andrew Corporation.</small> ALL DIMENSIONS ARE IN INCHES U.O.S. TOLERANCES UNLESS OTHERWISE SPECIFIED: .X = ± .12 ANGLES ±2° .XX = ± .06 FRACTIONS ±1/32 .XXX = ± .03 REMOVE BURRS AND BREAK EDGES .005 DO NOT SCALE THIS PRINT	DRAWN BY: MSM	SHEET: 1 of 2	PART NUMBER: MD-FSS
	CHECKED BY: TP	SCALE: NTS	DESCRIPTION: Microwave Dish Face Strut Support
	DATE: 04/20/11	MATERIAL: A36, A572	DRAWING TYPE: ASSEMBLY DRAWING
	REVISION: B	FINISH: GALV A123	WEIGHT: 40.85 LBS



<p>These drawings and specifications are the proprietary property of ANDREW CORPORATION and may be used only for the specific purpose authorized in writing by Andrew Corporation.</p> <p>ALL DIMENSIONS ARE IN INCHES U.O.S. TOLERANCES UNLESS OTHERWISE SPECIFIED:</p> <p>.X = ± .12 ANGLES ±2° .XX = ± .06 FRACTIONS ±1/32 .XXX = ± .03</p> <p>REMOVE BURRS AND BREAK EDGES .005</p> <p>DO NOT SCALE THIS PRINT</p>	<p>DRAWN BY: MSM</p>	<p>SHEET: 2 of 2</p>	<p>PART NUMBER: MD-FSS</p>
	<p>CHECKED BY: TP</p>	<p>SCALE: NTS</p>	<p>DESCRIPTION: Microwave Dish Face Strut Support</p>
	<p>DATE: 04/20/11</p>	<p>MATERIAL: A36, A572</p>	<p>DRAWING TYPE: ASSEMBLY DRAWING</p>
	<p>REVISION: B</p>	<p>FINISH: GALV A123</p>	<p>WEIGHT: 40.85 LBS</p>