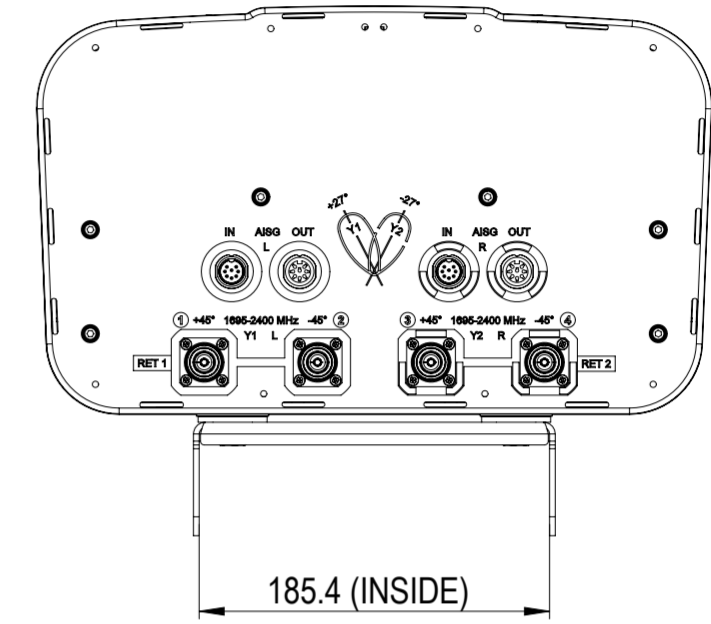
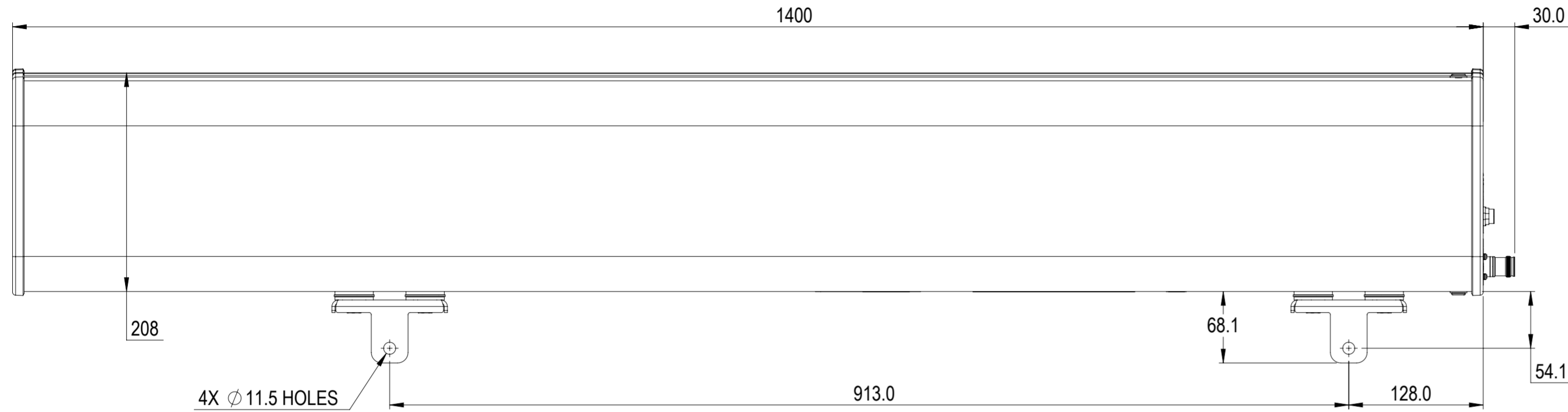


NOTES:

REVISIONS			
REV.	DESCRIPTION	DATE	APPROVED
A	ECR 8000014835: RELEASE TO PRODUCTION PER EAO 603602.	12OCT16 K.W	KDI / AD
B	ECR 8000016777: ENDCAP REVISION UPGRADE.	21OCT16 HWN	KDI / DZF
C	ECR 8000018522: ITEM 1 REVISION UPGRADE.	23DEC16 L.Z	KDI / LHF



2H-33A-R2

COMMSCOPE, INC. OF NORTH CAROLINA																																			
TOLERANCES					SAP MATERIAL MASTER																														
0 PLACE		X ±		2 PLACE		.XX ±																													
1 PLACE		.X ±		ANGLES		±																													
FINISH					MATERIAL																														
PRODUCT DRAWING																																			
<table border="1"> <thead> <tr> <th>NAME</th> <th>DATE</th> <th>TITLE</th> </tr> </thead> <tbody> <tr> <td>CE K.W</td> <td>05AUG16</td> <td rowspan="5" style="text-align: center; vertical-align: middle;">SCALE: 1:4 DOCUMENT NO. 2H-33A-R2-L</td> </tr> <tr> <td>RW LZ1032</td> <td>12/22/2016</td> </tr> <tr> <td>RV KDI</td> <td>12/26/2016</td> </tr> <tr> <td>AD HL1027</td> <td>12/26/2016</td> </tr> <tr> <td>RE BYUAN</td> <td>12/28/2016</td> </tr> </tbody> </table>										NAME	DATE	TITLE	CE K.W	05AUG16	SCALE: 1:4 DOCUMENT NO. 2H-33A-R2-L	RW LZ1032	12/22/2016	RV KDI	12/26/2016	AD HL1027	12/26/2016	RE BYUAN	12/28/2016												
NAME	DATE	TITLE																																	
CE K.W	05AUG16	SCALE: 1:4 DOCUMENT NO. 2H-33A-R2-L																																	
RW LZ1032	12/22/2016																																		
RV KDI	12/26/2016																																		
AD HL1027	12/26/2016																																		
RE BYUAN	12/28/2016																																		
<table border="1"> <thead> <tr> <th>SIZE</th> <th>WORK AREA</th> <th>23</th> <th colspan="3">MODEL</th> <th colspan="3">DRAWING</th> <th>SHEET</th> </tr> </thead> <tbody> <tr> <td rowspan="2" style="font-size: 2em;">A2</td> <td rowspan="2" style="text-align: center;">⊕</td> <td rowspan="2" style="text-align: center;">◁</td> <td>VERSION</td> <td>STATUS</td> <td>REVISION</td> <td>VERSION</td> <td>STATUS</td> <td>REVISION</td> <td rowspan="2" style="text-align: center;">1 OF 1</td> </tr> <tr> <td>03</td> <td>RE</td> <td>D</td> <td>02</td> <td>RE</td> <td>C</td> </tr> </tbody> </table>										SIZE	WORK AREA	23	MODEL			DRAWING			SHEET	A2	⊕	◁	VERSION	STATUS	REVISION	VERSION	STATUS	REVISION	1 OF 1	03	RE	D	02	RE	C
SIZE	WORK AREA	23	MODEL			DRAWING			SHEET																										
A2	⊕	◁	VERSION	STATUS	REVISION	VERSION	STATUS	REVISION	1 OF 1																										
			03	RE	D	02	RE	C																											

DENSITY	g/mm ³
MASS	grams
VOLUME	mm ³
SURFACE AREA	mm ²
HEIGHT	
LENGTH	
WIDTH	