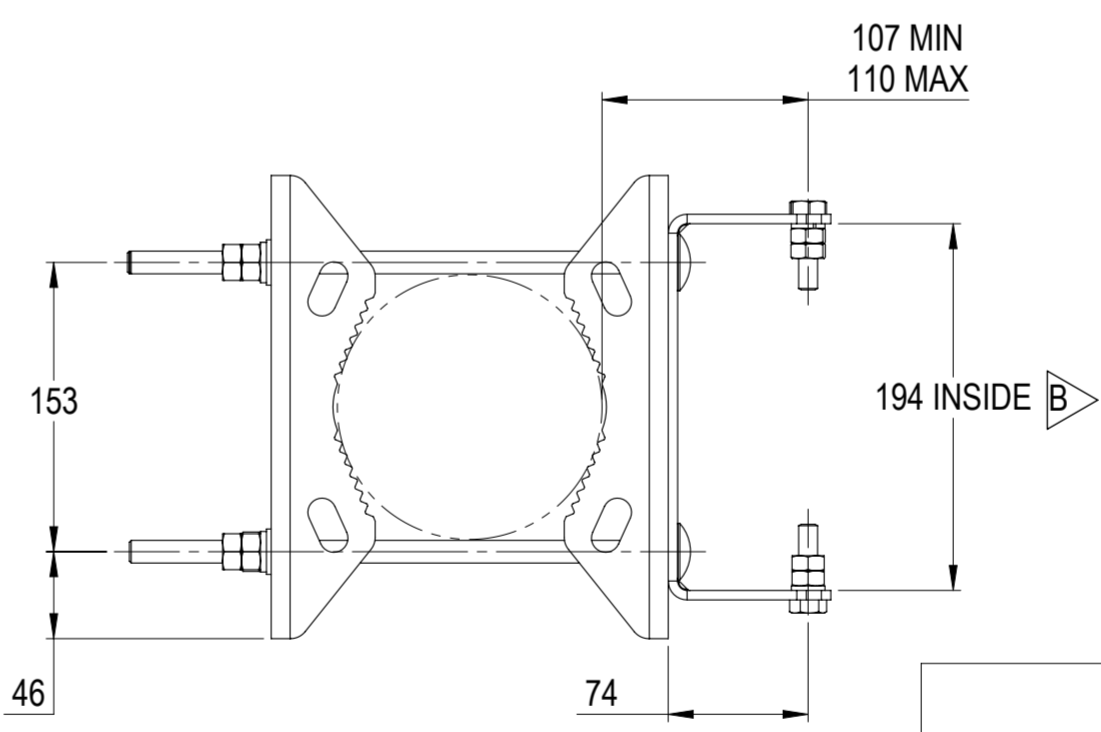
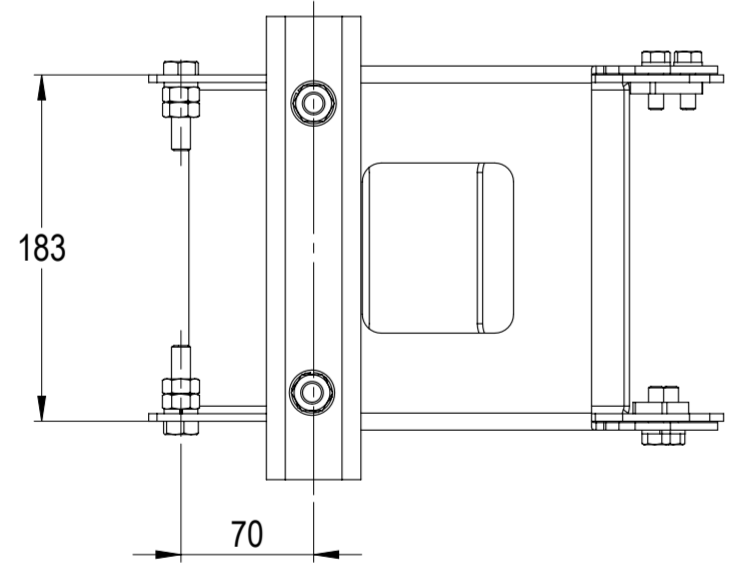
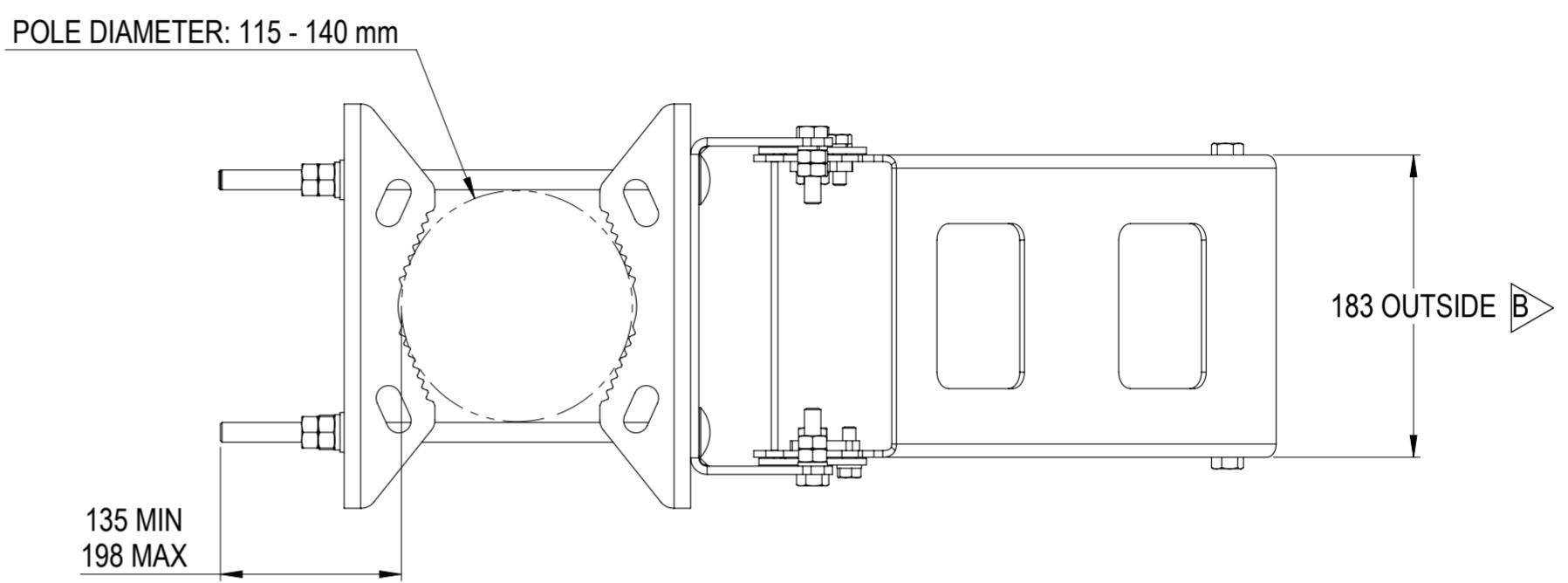
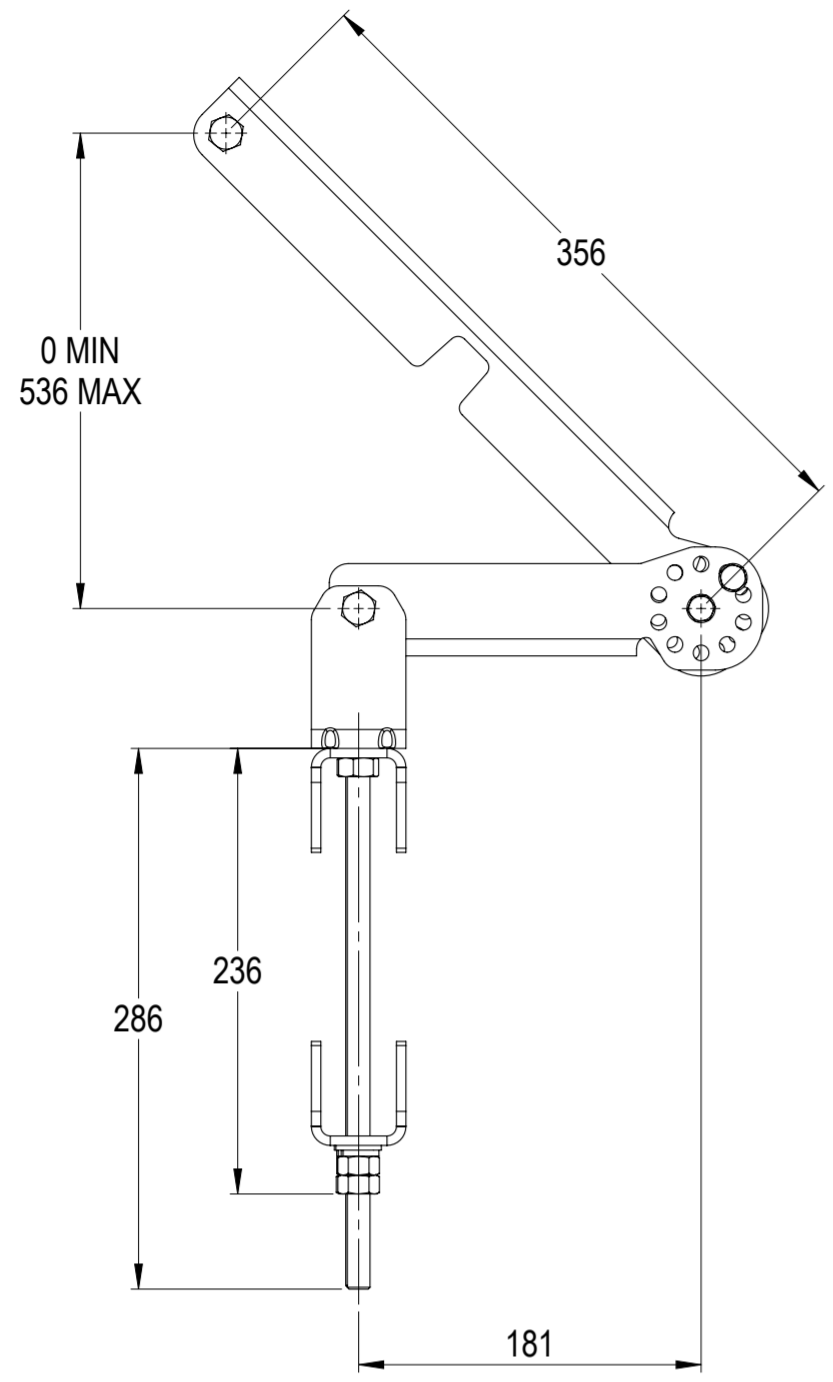


REVISIONS			
REV.	DESCRIPTION	DATE	APPROVED
A	ECR 8000037033: REL TO PRODUCTION PER EAO 606657.	07NOV19 RK	SUI/KKS
B	ECR 8000037033: UPDATED DIMENSIONS.	18DEC19 RK	SUI/KKS



BSAMNT-6

DENSITY	9.98	g/mm ³
MASS		Kg
VOLUME		mm ³
SURFACE AREA		mm ²
HEIGHT		
LENGTH		
WIDTH		

COMMSCOPE, INC. OF NORTH CAROLINA

TOLERANCES		SAP MATERIAL MASTER	
0 PLACE	X ±	2 PLACE	.XX ±
1 PLACE	.X ±	ANGLES	±
FINISH N/A		MATERIAL N/A	
<small>UNLESS OTHERWISE SPECIFIED DIMENSIONS ARE IN MILLIMETERS INTERPRET PER ISO STANDARDS HANDBOOK TECHNICAL DRAWINGS VOLUMES 1 & 2, THIRD EDITION (2002)</small>		NAME	DATE
		CE RK1070	11JUL19
		RW RK1070	12/17/2019
		RV SU1006	12/18/2019
		AD RK1083	12/18/2019
RE AC1095	12/18/2019	TITLE BSA MNT KIT	
ECN 8000037033-O		SCALE 1:4	DOCUMENT NO. BSAMNT-6-L
SIZE A2	WORK AREA 23	MODEL	DRAWING
		VERSION 01	STATUS RE
		REVISION B	VERSION 01
		REVISION B	STATUS RE
		REVISION B	REVISION B
			SHEET 1 OF 1