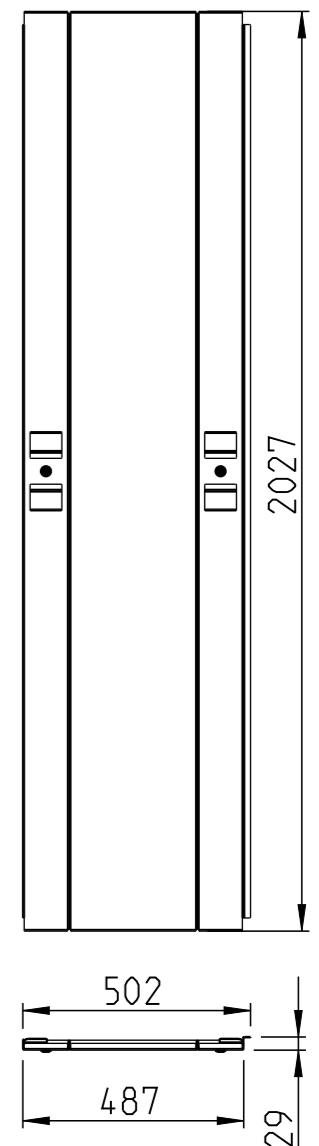
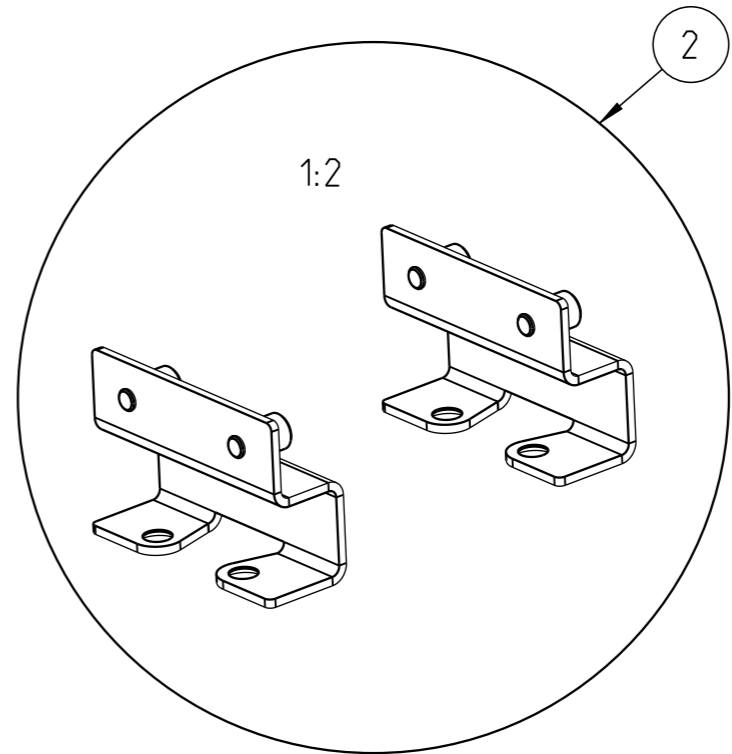
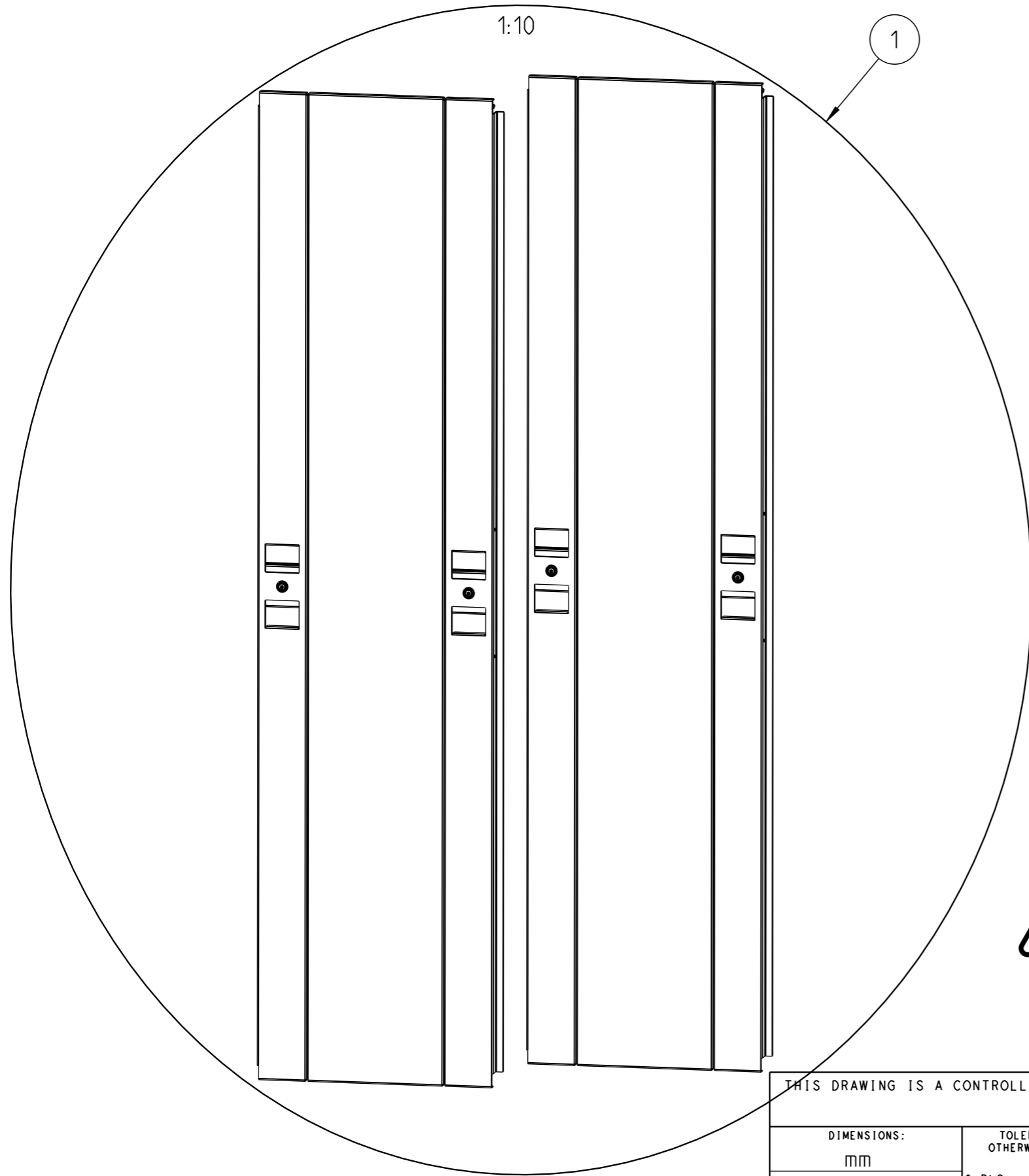


THIS DRAWING IS UNPUBLISHED. RELEASED FOR PUBLICATION
 © 2016 COMMSCOPE, INC. CONFIDENTIAL NOTICE: THESE DRAWINGS AND SPECIFICATIONS ARE THE PROPRIETARY PROPERTY OF COMMSCOPE, INC. AND MAY BE USED ONLY FOR THE SPECIFIC PURPOSE AUTHORIZED IN WRITING BY COMMSCOPE, INC.

LOC	DIST	REVISIONS			
P	LTR	DESCRIPTION	DATE	DWN	APVD
	B	ECR-11-025297	14DEC2011	RV	HB
	C	ECR-13-004244	11MAR2013	HB	DT
	D	ECN 8000018048 REBRAMDING	11JAN2017	RCR	SC



QUANTITY	PART NUMBER	DESCRIPTION	ITEM
1	411-117009	Instruction sheet	3
1	1-1671543-1	Kit Hinge Bracket Mid	2
2	1-1671544-1	Assembled Door	1
1--1			

THIS DRAWING IS A CONTROLLED DOCUMENT.

DIMENSIONS: mm	TOLERANCES UNLESS OTHERWISE SPECIFIED: 0 PLC ±SEE TABLE 1 PLC ±SEE TABLE 2 PLC ±SEE TABLE 3 PLC ±SEE TABLE 4 PLC ±SEE TABLE ANGLES ±SEE TABLE
MATERIAL -	FINISH -

DWN R.VANDOREN 31JAN2011	CHK H.BLEUS 31JAN2011	APVD D.THUS 31JAN2011
PRODUCT SPEC -		
APPLICATION SPEC -		
WEIGHT -		
CUSTOMER DRAWING		

COMMSCOPE, INC.			
Doors NETpodium Rack			
SIZE A3	CAGE CODE -	DRAWING NO C-1671545-C	RESTRICTED TO -
SCALE 3:50		SHEET 1 OF 1	REV 0