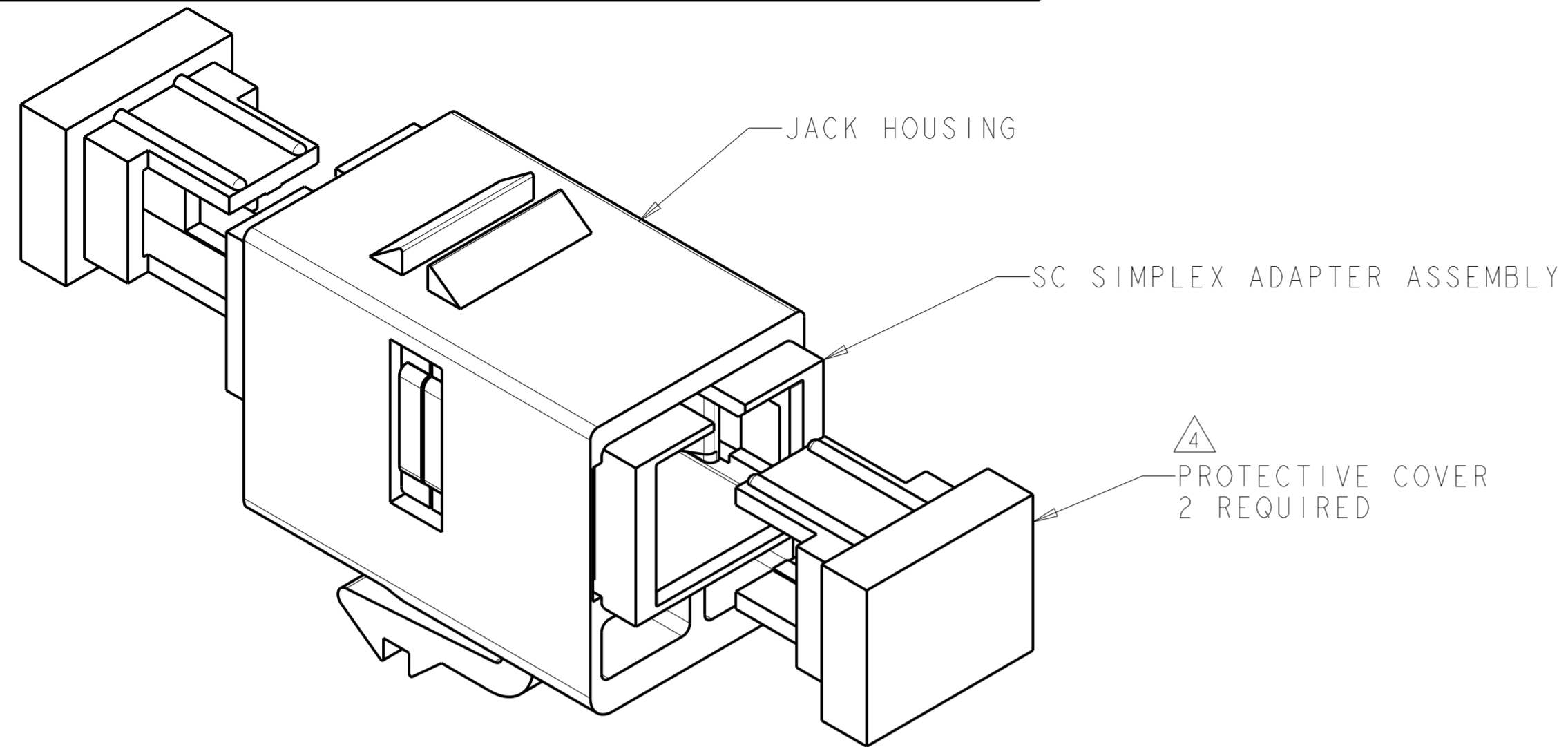
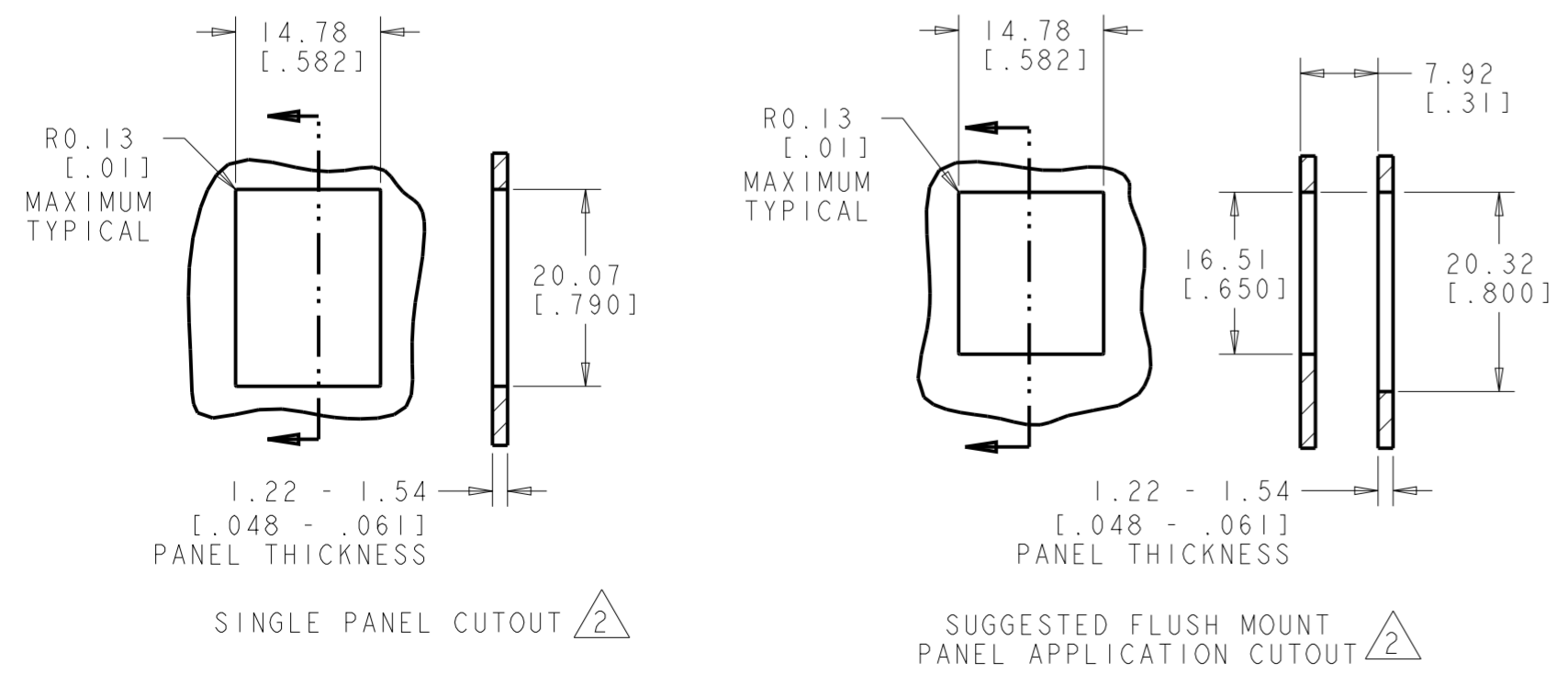
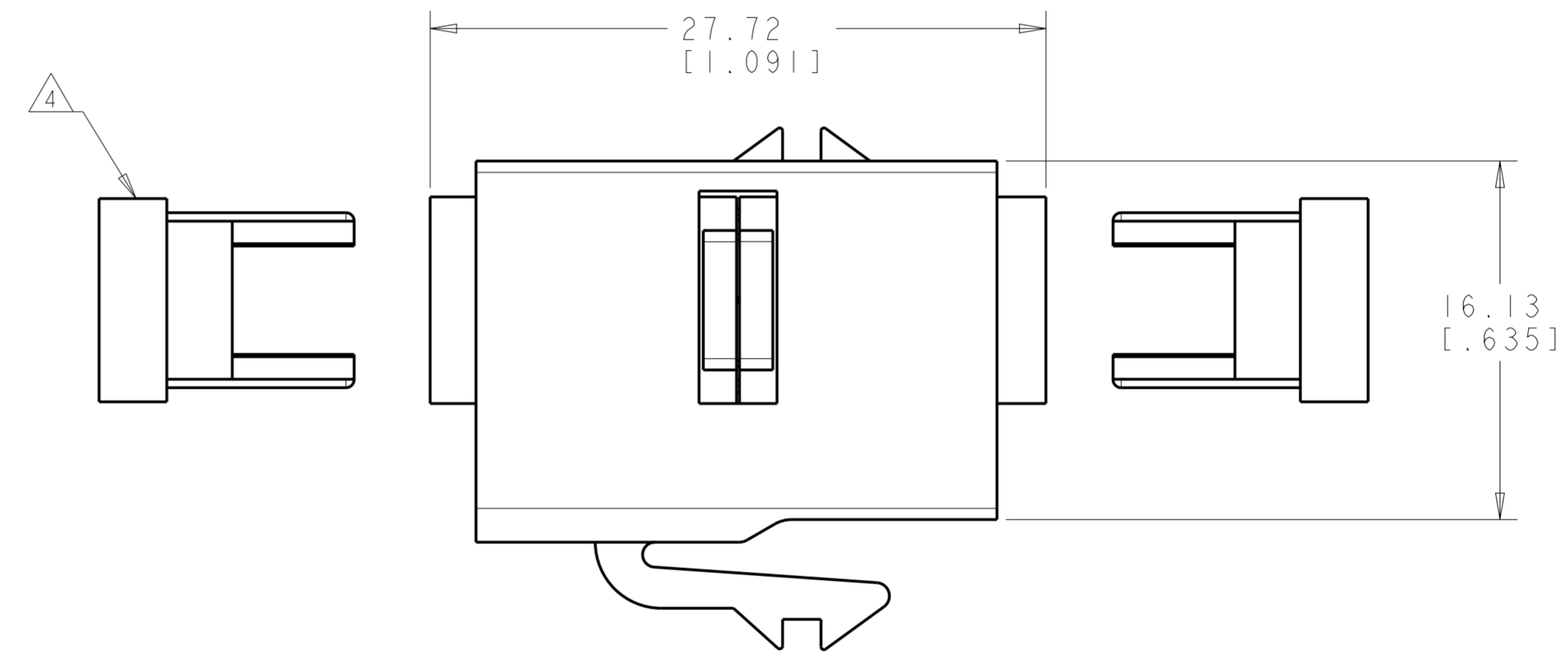
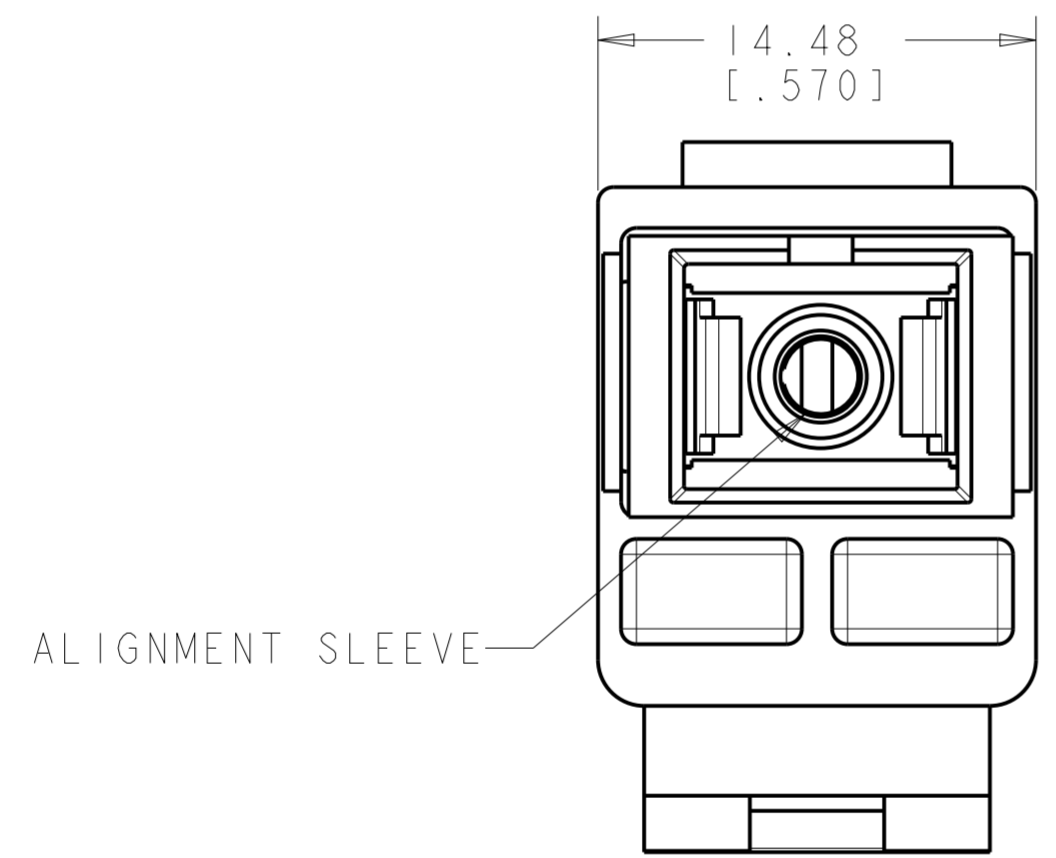


THIS DRAWING IS UNPUBLISHED. RELEASED FOR PUBLICATION
 © 2016 COMMSCOPE, INC. CONFIDENTIAL NOTICE: THESE DRAWINGS AND SPECIFICATIONS ARE THE PROPRIETARY PROPERTY OF COMMSCOPE, INC. AND MAY BE USED ONLY FOR THE SPECIFIC PURPOSE AUTHORIZED IN WRITING BY COMMSCOPE, INC.

REVISIONS				
P	LTR	DESCRIPTION	DATE	APVD
C		REV; ECO-11-007274	08APR2011	GG RA
D		REV; ECO-14-000046	02JAN2014	GG RA
E		REV PER BNS_CD_BRAND	08FEB2017	GG DC



- ① MATERIAL: JACK HOUSING - POLYPHENYLENE OXIDE, 94V-0 RATED. SEE TABLE FOR COLOR. SC DUPLEX ADAPTER HOUSING - ULTEM 1010R, BLACK. SLEEVE - CERAMIC.
- ② THESE TWO SUGGESTED CUTOUT OPENINGS ARE USED IN TANDEM WITH DUAL FRONT AND BACK CUTOUTS.
- ③ PACKAGED ONE ASSEMBLY PER POLYBAG.
- ④ PROTECTIVE COVERS SHIPPED ASSEMBLED BUT SHOWN NOT ASSEMBLED.



③	ALPINE WHITE	1-1499836-3
	ELECTRIC IVORY	1-1499836-1
	GREEN	1499836-9
	RED	1499836-7
	GRAY	1499836-4
	WHITE	1499836-3
	BLACK	1499836-2
	LIGHT ALMOND	1499836-1
PACKAGE	HOUSING COLOR	PART NUMBER

THIS DRAWING IS A CONTROLLED DOCUMENT.

DIMENSIONS: MM [INCHES]	TOLERANCES UNLESS OTHERWISE SPECIFIED:	DWN G. GARRETT 17 JAN 2006	NAME COMMSCOPE, INC.
	0 PLC ±	CHK G. BOWMAN 17 JAN 2006	
MATERIAL	1 PLC ±	APVD G. BOWMAN 17 JAN 2006	SIZE A2
	2 PLC ±	PRODUCT SPEC	CAGE CODE
	3 PLC ±	APPLICATION SPEC	DRAWING NO. C-1499836
	4 PLC ±	WEIGHT	RESTRICTED TO
	ANGLES ±	Customer Drawing	SCALE 4:1
	FINISH		SHEET 1 OF 1